

SERVICE MANUAL

SERVICE INFORMATION

MAKE

ATARI

MODEL

520 ST

For all your Workshop Service Manuals contact

MAURITRON TECHNICAL SERVICES,
8 CHERRY TREE ROAD,
CHINNOR,
OXFORDSHIRE,
OX9 4QY.

Telephone:- (0844) 51694

Fax:- (0844) 52554

SERVICE INFORMATION

We regret that original copies of this Service Information are no longer available from the Manufacturers or their appointed agents.

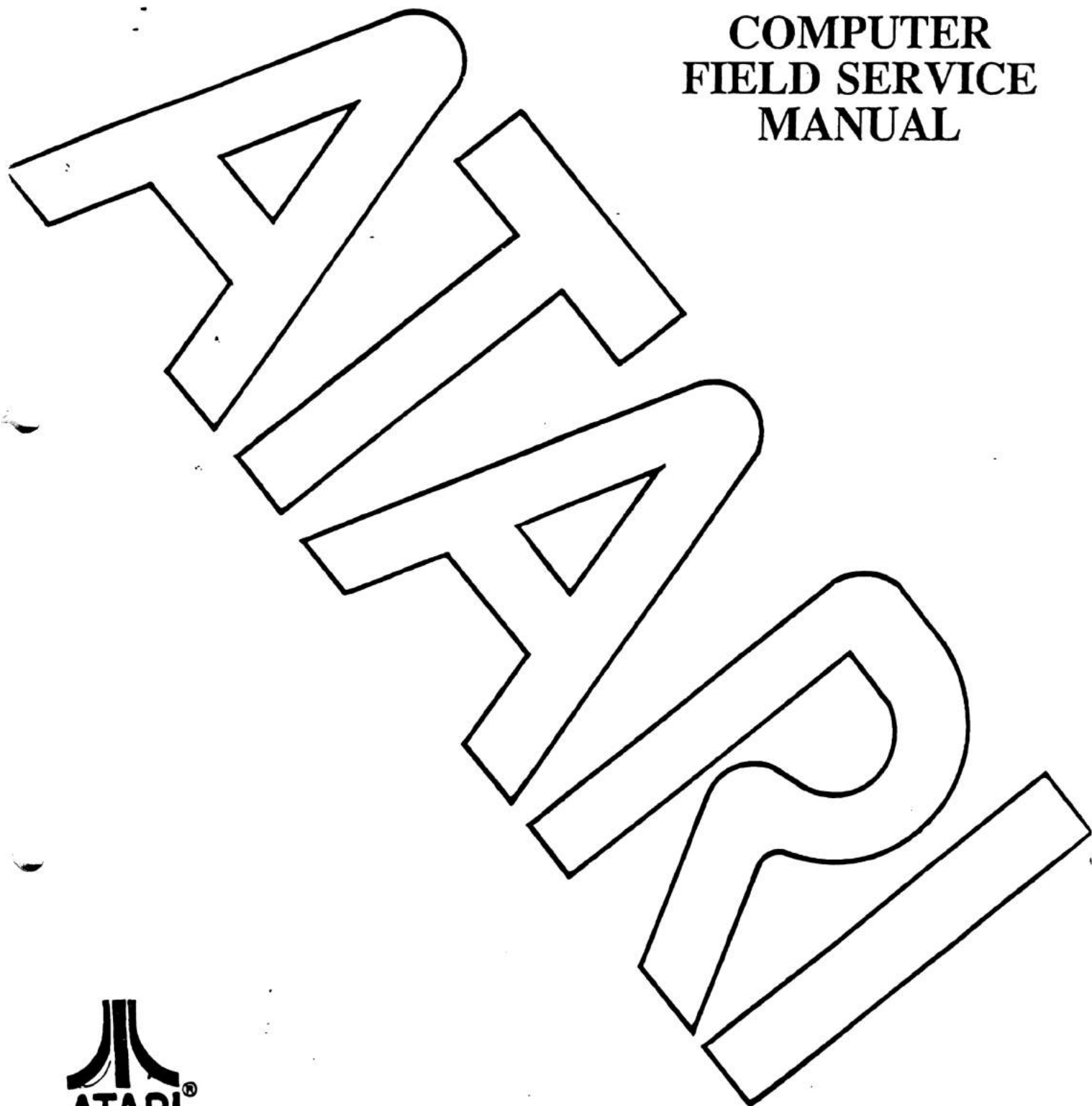
The quality and quantity of Service Information supplied by us depends entirely upon the original as supplied by the Manufacturer. Some suppliers issued good quality full workshop service manuals while others only issue poor service sheets or photocopied circuits and abridged manuals.

The service information attached is the *best and most complete* that is currently available. If parts of the copy are poor or there appears to be pages missing this is because our master copy obtained from the manufacturers is like that. We are sorry about this but it is *entirely beyond our control*.

IN VIEW OF THE ABOVE NO REFUNDS WILL BE ALLOWED
ON GROUNDS OF CONDITION OR QUANTITY.

**ST 520
1040**

**COMPUTER
FIELD SERVICE
MANUAL**



C026118-002
REVISION B-(3.6)
JANUARY 1987

CONTENTS

SECTION ONE—INTRODUCTION	
Case design	1.2
Power supply	1.6
SECTION TWO—THEORY OF OPERATION	
Main System	2.2
Audio/Video subsystem	2.6
Input/output subsystems	2.9
System Startup	2.15
System Errors	2.16
Functional block diagram	
System clock diagram	
SECTION THREE—TESTING	
Overview/Test equipment	3.1
Test Configuration	3.2
Troubleshooting a dead unit	3.2
Diagnostic Cartridge	3.4
Error Codes	3.8
Test Harness Hook-up Diagram	
SECTION FOUR—DISASSEMBLY/ASSEMBLY	
1040 Disassembly	4.1
1040 Assembly	4.3
520 Disassembly	4.4
520 Assembly	4.5
SECTION FIVE—SYMPTOM CHECKLIST	
SECTION SIX—DIAGNOSTIC FLOWCHARTS	
SECTION SEVEN—PARTS LIST AND ASSEMBLY DRAWINGS	
SECTION EIGHT—SCHEMATICS AND SILKSCREEN	
SECTION NINE—GLOSSARY	

SECTION ONE INTRODUCTION

The 520ST and 1040ST are designed as integrated units with keyboard, processor, memory, and I/O control in one package. The 520ST has 520 kbytes (524,280 exactly) of RAM, and the 1040ST has 1040 kbytes (1,048,568) of RAM. The 1040ST has a built in 1 Megabyte floppy disk drive, hence the full designation is 1040STF (floppy). Both 520ST and 1040ST are available with a modulator for T.V. output as an option. Models with a modulator are designated 520STM or 1040STFM. Early 520ST models have no modulator. Current models have circuitry for phase locked loop added on (April '86). Newer models will have the phase locked loop on the printed circuit board. The 1040ST (F, FM) has the power supply integrated into the package.

The main components are as follows:

520ST:

- Main board (with/without modulator)
- Keyboard assembly
- RF Shield (upper and lower)
- Plastic case (upper and lower)
- Mouse

1040ST:

- Main board (with/without modulator)
- Keyboard assembly
- RF Shield (upper, lower, and power supply)
- Power supply
- Disk drive
- Plastic case (upper and lower)
- Mouse
- Phase locked loop daughter board (units with modulator)

CASE DESIGN

- The 520ST upper case has openings for the keyboard and a lens for the power indicator LED in the front left corner. (Fig. 1.1a).
- The 1040ST case has in addition, a lens for the disk drive busy LED in the mid right side of the case (Fig. 1.1b).

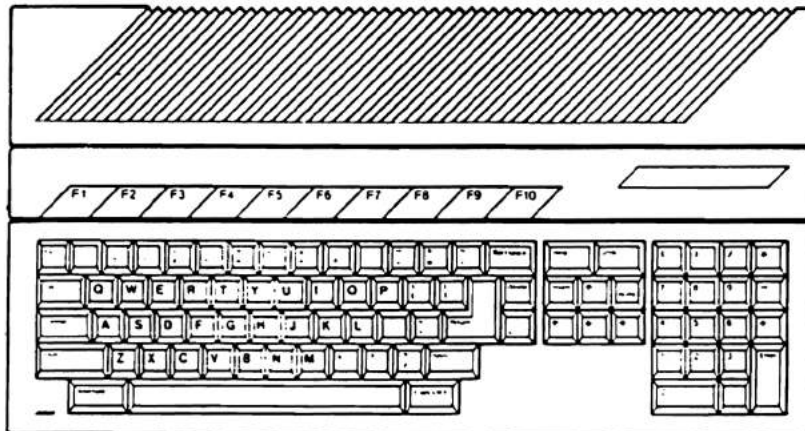


Figure 1.1a
520ST UPPER CASE

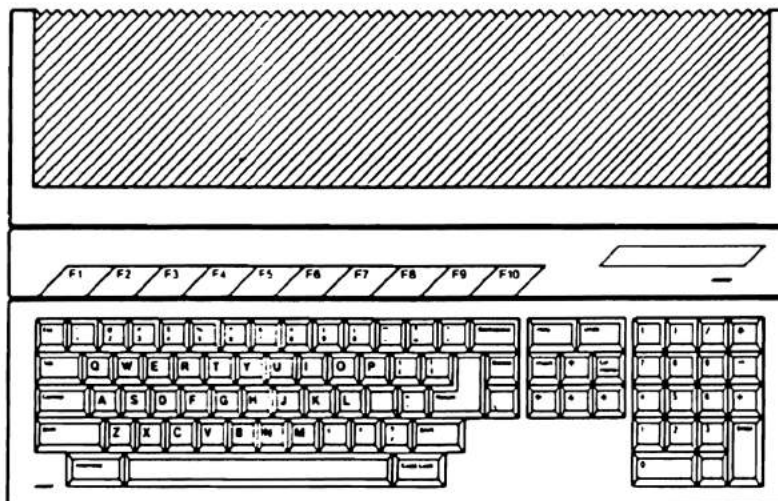


Figure 1.1b
1040ST UPPER CASE

The left side panel of the 520ST has a slot for the expansion cartridge (Fig. 1.2a).

The left side panel of the 1040ST has the cartridge slot and two ports for the MIDI connectors. (Fig. 1.2b).

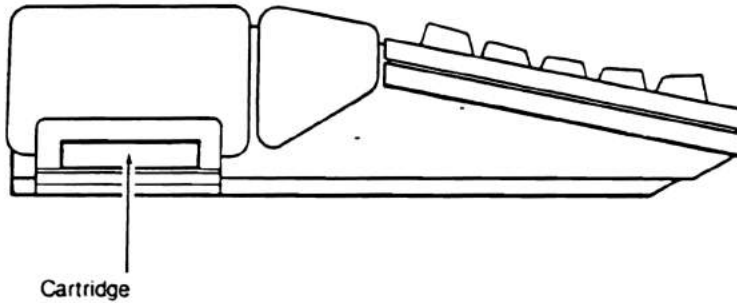


Figure 1.2a
520ST LEFT SIDE PANEL

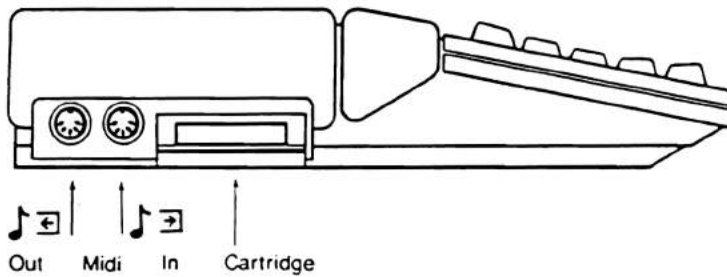


Figure 1.2b
1040ST LEFT SIDE PANEL

The right side panel of the 520ST has slots for the two joystick/mouse ports (Fig. 1.3a).

The right side panel of the 1040ST has a slot for the floppy disk drive. (Fig.1.3b).

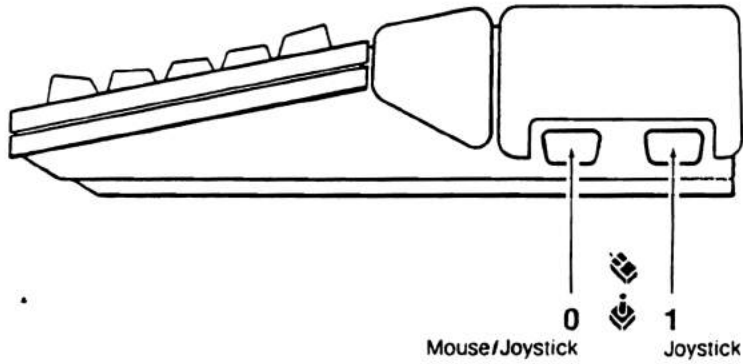


FIGURE 1.3a
520ST RIGHT SIDE PANEL

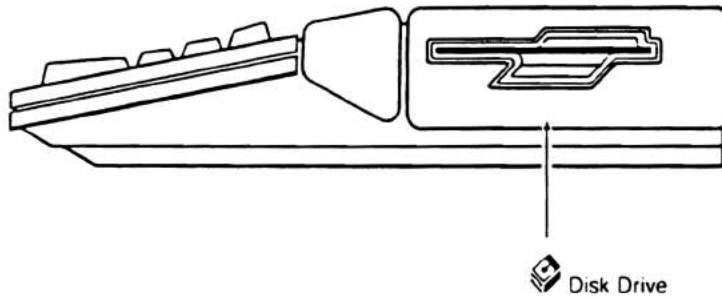


FIGURE 1.3b
1040ST RIGHT SIDE PANEL

The 520ST back panel contains (left to right) the reset button, power switch, D.C. power connector, MIDI ports, television output and channel select (optional), monitor connector, printer connector, RS232 (modem) connector, floppy disk connector, and hard disk connector (Fig. 1.4a).

The 1040ST back panel contains (left to right) the modem (RS232) connector, printer connector, hard disk connector, floppy disk connector, television output and select switch (optional), monitor connector, power switch, A.C. power input, and reset button. (Fig. 1.4b).

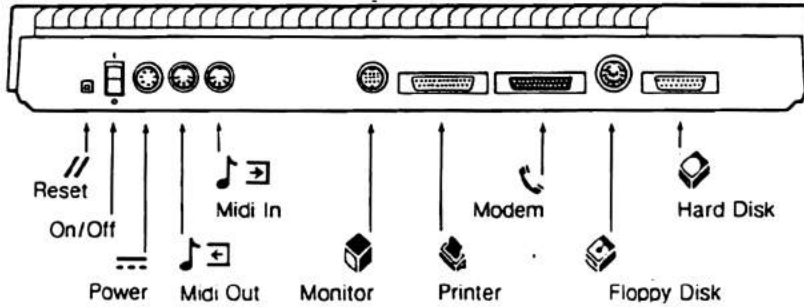


Figure 1.4a
520ST BACK PANEL

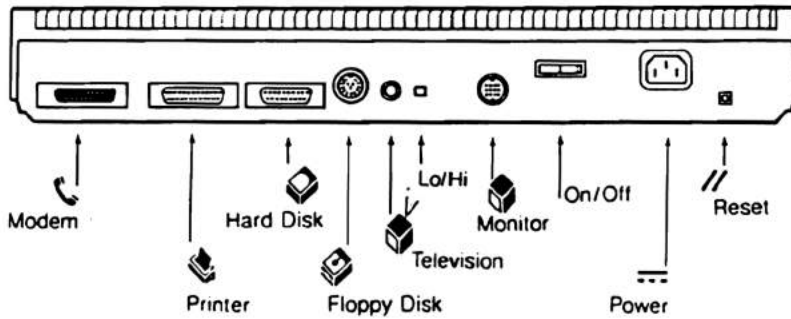


Figure 1.4b
1040ST BACK PANEL

POWER SUPPLY

- The 520ST has a separate linear power supply providing regulated +5, +12, and -12 volts. There are no adjustments. The power supply can be disassembled by removing the four rubber pads on the underside, and removing the four screws from under the pads.

Power supply rating:

Current out: 3 A. at 5v., 30 mA. at +12v., 30 mA. at -12v.

Max. power in: 36 W.

Actual (in system) demand:

Typical current: 1.5 A. at 5v. 3 mA. at +- 12v. if RS232C is inactive. 19 mA at +12v., 18 mA at -12v. if RS232 is active.

The 1040ST has an integral switching power supply providing +5 and +12 volts. There is a 2 Amp. fuse and a voltage adjustment pot (single adjustment for both 5 and 12 volts). Voltage should be adjusted + or - 5% (4.75-5.25v). The power supply has over-current protection; if the fuse is blown, a catastrophic failure is likely, such as shorted primary.

Power supply rating:

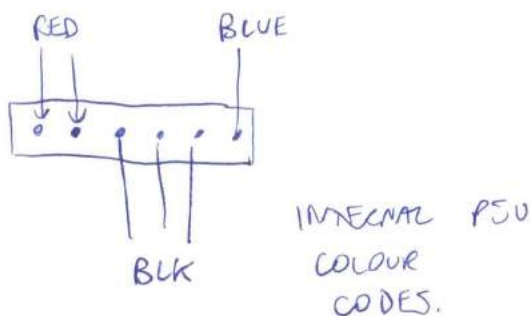
Current out: 3 Amperes at 5v., .9 Amperes at +12v.

Max. power in: 33.5 W.

Actual (in system) demand:

Typical current: 2.2 A. at 5v., 160 mA. at +12v.

Max. current: 2.3 A at +5v., 340 mA. at +12 (during disk access).



SECTION TWO THEORY OF OPERATION

OVERVIEW

The 520ST and 1040 ST share a common architecture, using the same LSI chip set. The most significant difference is the addition of one bank of 512K of RAM, for a total of 1024K (1,048,568 bytes). Except for the additional RAM, the differences between the 520 and 1040 are transparent to software. The hardware can be considered as consisting of a main system (central processing unit and support chips) and several Input/Output subsystems.

Main System

- * MC68000 running at 8MHz
- * 192 Kbyte Read Only Memory (64k in early versions)
- * 1024 Kbyte Random Access Memory
- * Direct Memory Access support
- * System timing and Bus control
- * Interrupt control

Audio/Video Subsystem

- * BitMapped video display, using 32k bytes of RAM, relocatable anywhere in memory. There are three display modes available:
 1. 320 x 200 pixel, 16 color palette from 512 selections
 2. 640 x 200 pixel, 4 color palette from 512 selections
 3. 640 x 400 pixel, monochrome
- * Monitor interface: RGB, Monochrome, Composite (SIM and STFM only)
- * Audio output: programmable sound chip
- * Television interface (SIM and STFM only)

Input/Output Subsystems

- * Intelligent Keyboard with 2 button mouse/joystick interface
- * Parallel printer interface
- * RS-232C serial interface
- * Floppy disk drive & connector for external drive
- * Hard disk drive interface
- * Musical instrument network communication: Musical Instrument Digital Interface (MIDI).

MAIN SYSTEM

The main system includes the microprocessing unit, main memory (ROM and RAM), system control, interrupt control, and general purpose DMA controller.

Microprocessing Unit

The ST's use the Motorola MC68000 16 bit external/32 bit internal data bus, 24 bit address bus microprocessor, running at 8 MHz.

Glue

Glue (named because it holds the system together) is such an important component that it is involved in nearly every operation in the computer. The functions may be summarized as follows:

Clock dividers— takes the 8 MHz clock and outputs 2 MHz and 500 KHz clocks.

Video timing— Blank, DE (Display Enable), Vsync, and Hsync are used to generate signals for the video display. There is a Read/Write register in Glue which may be written to configure for 50 or 60 Hz operation (done by the Operating System).

Interrupt priority— interrupts from the MFP and video timing are coded into four levels of priority on outputs IPL1 and IPL2 to the 68000. These levels correspond to no interrupts, MFP interrupts, VSYNC interrupt, HSYNC interrupt.

Signal and Bus arbitration— Glue decodes addresses to generate chip selects to the 6850s, MFP, DMA Controller, Programmable Sound Generator, Memory Controller, and ROMs. It receives signals from the MFP, DMA, Memory Controller, to synchronize data transfer. It arbitrates the bus during DMA transfers to prevent CPU and DMA devices from interfering with each other (see DMA below).

Illegal condition detection—Glue asserts Bus Error (BERR) if certain conditions are violated, such as writing to ROM, writing byte sized data to a word sized register, or writing to system memory when the processor is in user mode. Also occurs if a device does not respond within the required time limit. For example, the CPU tries to read from memory and the Memory Controller does not assert DTACK.

Main Memory

Main memory consists of 192 kbytes of ROM and one or two banks (512 Kbyte each) of dynamic RAM. In addition, the cartridge slot allows access to 128 Kbytes of ROM. All memory is directly addressable. The components of the memory system are: ROM, RAM, RAM buffers, Memory Controller, and Glue. The Operating System resides mostly in ROM, with optional segments loaded from disk into RAM.

RAM is organized as 16 bit words and may be accessed 16 bits at a time or 8 bits at a time. Even numbered addresses refer to the high 8 bits of a word and odd addresses refer to the low 8 bits. RAM is made up of 256 kbit X 1 chips; in the 520ST there are 16 chips, giving 512 kbytes, while in the 1040ST there is an additional bank of 16 chips, giving two times the memory, or 1 Mbyte..

RAM memory map:

000008-000800	System memory (privileged access)
000800-07FFFF	low bank
080000-0FFFFFFF	high bank (1040 only)

Note: the first 8 bytes of ROM are mapped into addresses 0-7. These are reset vectors which the 68000 uses on start-up.

The Operating System is located in six 32k x 8 ROM chips in current versions (192k). Some early versions of the 520ST have only two 8k x 8 boot ROMs (16K), and load the operating system from disk into RAM. Even if the O.S. is in ROM, if a boot disk is in the floppy at power-on, the O.S. will load into RAM and take control.

ROM memory map:

high,low	192k	16k
U4,U7	FC0000-FCFFFF	FC0000-FC4000
U3,U6	FD0000-FDFFFF	
U2,U5	FE0000-FEFFFF	

Memory Controller—takes addresses from the address bus and converts to Row Address Strobe (RAS) and Column Address Strobe (CAS). All RAM accesses are controlled by this Atari proprietary chip, which is programmable for up to 4 Megabytes of memory. The Operating System determines how much memory is present and programs the Memory Controller at power-up. The Memory Controller refreshes the dynamic RAMs, loads the Video Shifter with display data, and gives or receives data during direct memory access (DMA).

Glue—decodes addresses for RAM and ROM and asserts output signals to enable these devices (also decodes addresses for most hardware registers to provide chip selects, as well as many other functions. See Glue description above.).

Direct Memory Access

Direct memory access is provided to support both low speed (250 to 500 Kilobits/sec) and high speed (up to 8 Megabits/sec) 8 bit device controllers. The floppy disks transfer data via low speed DMA and the hard disk (or other devices on the hard disk port) transfer at high speed. For DMA to take place, the Memory Controller is given the address of where to take data from or put data in RAM, the DMA Controller is set up (which channel, high speed or low speed, and how many bytes) and the peripheral is given a command to send or receive data. The entire block of data (the size must be given to the DMA Controller and the peripheral before the operation starts) is then transferred to or from memory without intervention by the CPU.

For example, in a transfer of a sector from the floppy to memory, the floppy controller will signal the DMA Controller that a byte is ready by asserting FDRQ, the DMA chip will read the byte and signal Glue, Glue will signal the Memory Controller, and the Memory Controller will read the byte from the DMA Controller and place it in the address which was set up previously. The DMA Controller will then wait for the next byte from the floppy controller, and the process will repeat until the specified number of bytes has been transferred. Transfers from memory to floppy are similar. The floppy initiates every transfer by requesting data on FDRQ.

At high speed (hard disk port), there is a difference: as a byte is ready to transfer to or from the DMA chip, the DMA Controller will assert ACK to let the peripheral know the byte is available or has been read. The DMA Controller can store up to 32 bytes in internal memory. This is necessary if the 68000 is using the bus, and the DMA must wait to transfer to memory. Data may be input from the port without being lost or slowing down the transfer speed.

MFP Interrupt Control

The 68901 MFP handles up to 16 interrupts. Currently all but one are used. Each interrupt can be masked off or disabled by programming the MFP. The 8 inputs are also directly readable by the CPU. When the MFP receives an interrupt input, or generates an interrupt internally, if the interrupt is enabled, MFPINT will be driven low. When the CPU is ready to respond, it signals interrupt acknowledge (FC0-2 high and VMA low) and Glue will assert IACK (interrupt acknowledge). The MFP will assert DTACK and put a vector number on the data bus, which the CPU will read and use to calculate the address of the interrupt routine.

The interrupts controlled by the MFP are: monochrome monitor detect (MONOMON), RS232 (including CTS, DCD, RI), disk (FDINT and HDINT), parallel port BUSY, display enable (DE, equals start of display line), 6850 IRQs for keyboard and MIDI data, and MFP timers.

Not all I/O operations use interrupts. The CPU can also poll the MFP while waiting for an operation to complete.

The MFP has four timers, used by the Operating System for event timing and used by the RS232 port for transmit and receive clocks.

AUDIO/VIDEO SUBSYSTEM

The video subsystem consists of the video display memory, the Memory Controller, Glue, a graphics control chip (Video Shifter), some discrete components to drive the video output, and an RF modulator (STFM version). The audio subsystem consists of a Programmable Sound Generator chip with a transistor output amplifier.

Video Shifter

There are 16 color palette registers in the shifter. All 16 are may be used in low resolution, 4 may be used in high resolution, and only one is used in high resolution (actually, only bit 0 of register 0 is used for inverse/normal video). Each palette is programmed for 8 levels of intensity of red, blue, and green, so there are $8 \times 8 \times 8 = 512$ colors possible. For a given pixel, the color which is displayed is taken from the palette referred to by getting information from each logical plane (see description of video display memory below). The shifter will output the red, green, and blue levels specified by that palette; note there are three outputs for each color. Each output is either on or off. Thus, the number of possible output levels is 2 to the 3rd power = 8. The three outputs are summed through a resistor network to proportion the voltage level to give 8 equal steps. In monochrome mode, the color palettes are bypassed and there is a separate output.

Video Display Memory

Display memory is part of main memory with the physical screen origin located at the top left corner of the screen. Display memory is configured as 1, 2, or 4 (high, medium, or low resolution) logical planes interwoven by 16 bit words into contiguous memory to form one 32 Kilobyte physical plane starting at a 256 byte half page boundary. The starting address of display memory is placed in the Memory Controller's Video Base Address register by the Operating System or application. The Memory Controller will load display information into the Video Shifter 16 bits at a time, and the Video Shifter will decode this information to generate a serial display stream. In monochrome mode, each bit represents 1 pixel on or off. In color, bits are combined from each plane to generate the correct level of red, green, and blue.

For example, in low resolution (4 planes) 4 words are loaded into the Video Shifter for each word (16 pixels displayed on the screen). The Video Shifter combines bit 0 from each word to form a four bit number (0-15), and takes the color from the palette referenced by that number (e.g. 0101=5, use color from palette register 5) and outputs those levels, then takes bit 1 from each plane and outputs the color from the palette referenced by those four bits, etc.

Glue

Glue provides timing control to the Memory Controller, video output, and monitor/RF output. VSYNC input to the Memory Controller causes the starting address of the display memory to be reloaded into the address counter during vertical blanking. DISPLAY ENABLE (DE) tells the Memory Controller and Video Shifter that a display line is being scanned and data should be loaded into the Video Shifter. BLANK shuts off the video output from the Video Shifter during periods when the scan is not in a displayable part of the screen. VSYNC and HSYNC both go to the monitor output and RF modulator. These signals synchronize the monitor or T.V. vertical and horizontal sweep to the display signal.

Memory Controller

In addition to the inputs from Glue mentioned above, there are two output control signals associated with video. DCYC strobes data from display memory into the Video Shifter. CMPCS (color map select) is active only when changing the color attributes in the color palettes.

Sound Synthesizer

The YM2149 Programmable Sound Generator (PSG) produces music synthesis, sound effects, and audio feedback (e.g. alarms and key clicks). The clock input is 2 MHz; the frequency response range is 30 Hz to 125 KHz. There are three sound channels output from the chip, which are mixed and sent to the monitor speaker.

The PSG is also used in the system for various I/O functions relating to printer port, disk drive, and RS232.

Video Interface

The two types of interface are provided in the base ST's are analog RGB and monochrome. The STM and STFM versions have in addition composite and modulated RF outputs. The presence of a monochrome monitor is detected by the MONOMON input (when a monochrome monitor is connected, it will be low). The possible displays are:

Monochrome: single emitter follower amplifier driving the output of the Video Shifter.

RGB: resistor network sums outputs for each color. The three colors each have an emitter follower amplifier to drive output.

Composite (STM and STFM): the outputs of the emitter

followers are input to the modulator box, where the vertical and horizontal sync signals are added to form the composite signal.

Television (STM and STFM models): the composite signal is modulated onto an RF carrier. The signal is locked onto the color burst frequency by the phase locked loop (PPL). Without the PPL, the colors will shift or dance on the T.V. screen. The PPL was not included in the printed circuit design of early versions, and is a hand wired modification. On some versions of the 1040ST, the PPL is on a small daughter board just in front of the shield enclosing the Video Shifter.

Monitor Inputs:

Hsync—TTL level, negative, 3.3 k ohm.
Vsync—TTL level, negative, 3.3 k ohm.
Monochrome—digital 1.0V P-P, 75 ohm.
R,G,B—analog 0-1.0V P-P, 75 ohm.
Audio—1V. P-P, 1k ohm.



Monitor

- 1 — Audio Out
- 2 — Composite Video
- 3 — General Purpose Output
- 4 — Monochrome Detect
- 5 — Audio In
- 6 — Green
- 7 — Red
- 8 — Plus 12-Volt Pullup
- 9 — Horizontal Sync
- 10 — Blue
- 11 — Monochrome
- 12 — Vertical Sync
- 13 — Ground

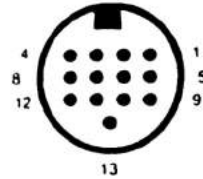


Figure 1.4
Monitor Port

INPUT/OUTPUT SUBSYSTEMS

Musical Instrument Communication

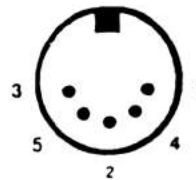
The Musical Instrument Digital Interface (MIDI) allows the integration of the ST with music synthesizers, sequencers, drum boxes and other devices possessing MIDI interfaces. High speed (31.25 Kilobaud) asynchronous current loop serial communication of keyboard and program information is provided by two ports, MIDI OUT and MIDI IN (MIDI OUT also supports the optional MIDI THRU port). MIDI specifies that data consist of 8 data bits preceded by one start bit and followed by one stop bit.

Communication takes place via a 6850 ACIA. The CPU reads and writes to the 6850 in response to interrupts which are passed from the 6850 to the MFP interrupt controller. The system is interfaced to the outside via two inverters on the transmit side and an LED/photo-transistor chip on the input side. The input signal is routed around through two inverters to the output connector where it is called MIDI THRU in order to allow chaining of multiple devices on the MIDI bus.



Midi Out

- 1 — THRU Transmit Data
- 2 — Shield Ground
- 3 — THRU Loop Return
- 4 — OUT Transmit Data
- 5 — OUT Loop Return



Midi In

- 1 — Not Connected
- 2 — Not Connected
- 3 — Not Connected
- 4 — IN Receive Data
- 5 — IN Loop Return

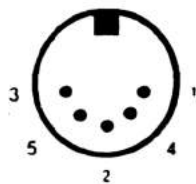


Figure 1.5
MIDI PORTS

Intelligent Keyboard

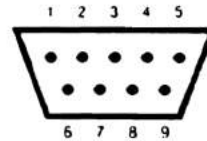
The keyboard transmits make/break key scan codes, ASCII codes, mouse data, joystick data, in response to external events, and time-of-day data (year, month, day, hour, minute, second) in response to requests by the CPU. Communication is controlled on the main board by a 6850 device and on the keyboard assembly by the 1MHz 8 bit HD6301 Microcomputer Unit. The HD6301 has internal RAM and ROM. Included in ROM are self-test diagnostics which are performed at power-up and whenever the RESET command is sent over the serial communication line by the CPU. The MC6850 is read and written to by the CPU in response to interrupts which are passed to the CPU by the MFP interrupt controller.

The 2 Button Mouse is an opto-mechanical device with the following characteristics: a resolution of 100 counts/inch, a maximum velocity of 10 inches/second and a maximum pulse phase error of 50 percent. The joystick/mouse port has inputs for up, down, left, right, right button, left button. The right button equals the joystick trigger, and the left button is wired to the second joystick port trigger. The joystick has four directions (up, down, etc.) and one trigger.



Mouse/Joystick

- 1 — Up/XB
- 2 — Down/XA
- 3 — Left/YA
- 4 — Right/YB
- 5 — Not Connected
- 6 — Fire/Left Button
- 7 — + 5VDC
- 8 — Ground
- 9 — Joy1 Fire/Right Button



Joystick

- 1 — Up
- 2 — Down
- 3 — Left
- 4 — Right
- 5 — Reserved
- 6 — Fire Button
- 7 — + 5VDC
- 8 — Ground
- 9 — Not Connected

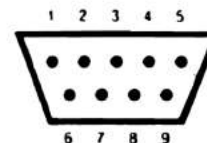


Figure 1.6
MOUSE/JOYSTICK PORTS

Parallel Interface

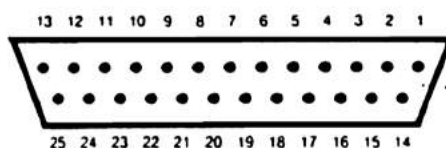
The parallel port is primarily intended as a Centronics type printer interface, but can also be used as a general purpose I/O port. Centronics STROBE and BUSY are supported. BUSY is read by the MFP chip. Data and strobe signals are output by the YM2149 PSG chip. Not all Centronics printers are compatible with this port. The current loading on the data lines should not exceed 2.3 mA. (This corresponds to a 2.2k ohm resistor pull-up on the printer side.)

The port can be programmed to be input or output. The PSG chip is read directly by the CPU, with Glue doing address decode to provide chip select.



Printer

- 1 — STROBE
- 2 — Data 0
- 3 — Data 1
- 4 — Data 2
- 5 — Data 3
- 6 — Data 4
- 7 — Data 5
- 8 — Data 6
- 9 — Data 7
- 10 — Not Connected



- 11 — BUSY
- 12-17 — Not Connected
- 18-25 — Ground

Figure 1.7
PRINTER PORT

RS232C Interface

The RS232C interface provides asynchronous serial communication with five handshake control signals: Request to Send and Data Terminal Ready are output by the PSG chip; Clear to Send, Data Carrier Detect, and Ring Detect are input to the MFP chip. The MFP contains a USART (Universal Synchronous/Asynchronous Receiver/Transmitter) which handles data transmission and reception. The 2.4576 MHz clock to the MFP is divided by the timer D (pin 16) output of the MFP to provide the basic clock for receiver and transmitter. Data rate of 50 to 19200 bits per second are supported. 1488 line drivers and 1489 line receivers with +/- 12v. supply meet the EIA RS232C standard for electrical interface.



Modem

- | | |
|--------------------------|-----------------------|
| 1 — Protective Ground | |
| 2 — Transmitted Data | |
| 3 — Received Data | |
| 4 — Request to Send | |
| 5 — Clear to Send | |
| 6 — Not Connected | |
| 7 — Signal Ground | |
| 8 — Data Carrier Detect | 21 — Not Connected |
| 9-19 — Not Connected | 22 — Ring Indicator |
| 20 — Data Terminal Ready | 23-25 — Not Connected |

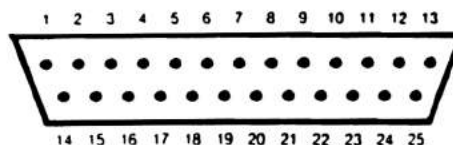


Figure 1.8
RS 232C PORT

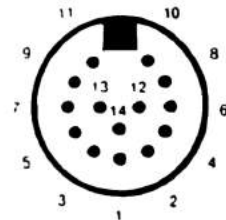
Disk Drive Interface

The ST computers have a built-in floppy disk controller (a Western Digital 1772) and logic for selecting up to two single or double sided drives. The 1040 ST has one built-in floppy disk drive and provision for one external disk drive. The Western Digital WD1772 Controller services both drives. Drive and side selection is done by outputs on the YM2149 PSG chip. The CPU reads and writes to the 1772 through the DMA Controller. The 1772 interrupts the CPU on the INTR line, via the MFP interrupt controller. The 1772 accepts high level commands, such as seek, format track, write sector, read sector, etc. and passes data to the DMA Controller (see DMA controller under Main System, above, for details on DMA transfer). The 1772 interrupts the CPU when the operation is complete. The CPU is freed from much of the overhead of disk I/O.



Floppy Disk

- 1 — Read Data
- 2 — Side 0 Select
- 3 — Logic Ground
- 4 — Index Pulse
- 5 — Drive 0 Select
- 6 — Drive 1 Select
- 7 — Logic Ground
- 8 — Motor On
- 9 — Direction In
- 10 — Step
- 11 — Write Data



- 12 — Write Gate
- 13 — Track 00
- 14 — Write Protect

Figure 1.9
FLOPPY PORT

Hard Disk Interface

The hard disk drive interface is provided through the DMA controller; the hard disk controller is off-board and is board and is sent commands via an SCSI-like (Small Computer System Interface) command parameter block. Data is transferred via DMA. Writing to the external controller causes HDCS (Hard Disk Chip Select) to go low and CAL to go high. DMA transfers are controlled by the external device. When data is available, or the device is ready to accept data, HDRQ will be driven high by the external controller. The DMA chip must respond within 250 nanoseconds with ACK (low) to acknowledge that data is on the bus or has been read from the bus. The Memory Controller feeds data to or accepts data from the DMA Controller. Transfers can take place at up to 1 Mbyte/second.



Hard Disk

1 — Data 0	
2 — Data 1	
3 — Data 2	
4 — Data 3	
5 — Data 4	
6 — Data 5	
7 — Data 6	
8 — Data 7	
9 — Chip Select	
10 — Interrupt Request	
11 — Ground	
12 — Reset	
13 — Ground	
	14 — Acknowledge
	15 — Ground
	16 — A1
	17 — Ground
	18 — Read/Write
	19 — Data Request

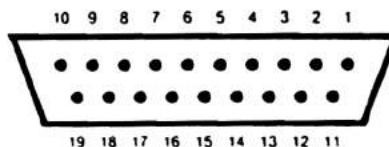


Figure 1.10
HARD DISK PORT

SYSTEM STARTUP

After a RESET (power-up or reset button) the 68000 will start executing at the address pointed to by locations 4-7, which is ROM (Glue maps 8 bytes of ROM at FC0000-7 into the addresses 0-7). Location 000004 points to the start of the operating system code in ROM (FC0000-FEFFFF). The following sequence is then executed:

1. Perform a reset instruction (outputs a reset pulse).
2. Read the longword at cartridge address FA0000. If the data read is a "magic number", execute from the cartridge (diagnostic cartridge takes over here). If not, continue.
3. Check for a warm start (see if RAM locations were previously written), initialize the memory controller, and continue running the application which was running before the reset if it was a warm start.
4. Initialize the PSG chip, deselect disk drives.
5. Initialize color palettes and set screen address.
6. If not a warm start, zero memory.
7. Set up operating system variables in RAM.
8. Set up exception vectors.
9. Initialize MFP.
10. Set screen resolution.
11. Attempt to boot floppy; attempt to boot hard disk; run program if succeeded.
12. If no boot disk, the 16k boot ROM version will prompt the user to insert the system disk. The full 192k version will bring up the desktop.

SYSTEM ERRORS

The 68000 has a feature called exception processing, which takes place when an interrupt or bus error is indicated by external logic, or when the CPU detects an error internally, or when certain types of instructions are executed. An exception will cause the CPU to fetch a vector (address to a routine) from RAM and start processing at the routine pointed to by the vector. Exception vectors are initialized by the operating system. Those exceptions which do not have legitimate occurrences (interrupts being legitimate) have vectors pointing to a general purpose routine which will display some number of bombs showing on the screen (mushroom clouds in older versions of disk loaded operating system). The number of bombs equals the number of the exception which occurred.

System errors may or may not be recoverable. Errors in loading files from disk will cause the system to crash, necessitating a reset. Verify the diskette and disk drive before attempting to repair the computer.

Number of bombs and meaning

(Nos. 26,28,30, and 64-79 will not bomb, as they are legitimate.)

- 2 Bus Error. Glue asserted bus error or CPU detected an error.
- 3 Address Error. Processor attempted to access word or long word sized data on an odd address.
- 4 Illegal Instruction. Processor fetched an instruction from ROM or RAM which was not a legal instruction.
- 5 Zero Divide. Processor was asked to perform a division by zero.
- 6 Chk Instruction. This is a legal instruction, if software uses this, it must install a handler.
- 7 Trapv Instruction. See Chk instruction.
- 8 Privilege Violation. CPU was in user mode, tried to access a location in supervisor address space.
- 9 Trace. If trace bit is set in the status register, the CPU will execute this exception after every instruction. Used to debug software.
- 10 Line 1010 Emulator. CPU read pattern 1010 as an instruction. Provided to allow user to emulate his own instructions.
- 11 Line 1111 Emulator. See Line 1010 Emulator.
- 12-23 Unassigned, should be no occurrence.
- 24 Spurious Interrupt. Bus error during interrupt processing.
- 25-31 Autovector Interrupt. Even numbered vectors are used, others should have no occurrence.
- 32-63 TRAP Instruction. CPU read instruction which forced exception processing.
- 64-79 MFP interrupts.
- 80-255 User interrupts.

SECTION THREE TESTING

OVERVIEW

This section pertains to the test equipment, diagnostic software, and test procedures used to verify correct operation and repair the ST computers. The diagnostic cartridge should be used if possible. If the unit gives no display or RS232 output when running the cartridge, see "Troubleshooting a Dead Unit" below.

Since the level of complexity in the ST system is high, it should not be expected that this document can cover all possible problems or pinpoint the causes; rather, the intent here is to give a systematic approach which a technician can use to narrow down a problem to its most likely source. Experience in troubleshooting computer systems is assumed. Knowledge of the 68000 processor may be helpful.

Economics will be an important consideration; due to the low cost of the ST computer line, little time can be justified in troubleshooting down to the component level when it may be cheaper to exchange the entire assembly. Many of the more expensive (and critical) components are socketed, making verification and replacement faster.

TEST EQUIPMENT

The following equipment may be needed to test the ST computer:

- * Atari RGB Monitor (SC1224 or similar)
- * Atari Monochrome Monitor (SM124 or similar)
- * Atari Single Sided Floppy Disk Drive (SF354 or similar)
- * Atari Double Sided Floppy Disk Drive (SF314 or similar)
- * ST Port Test Fixture
- * RS232 Loop-Back Connector
- * MIDI Loop-Back Cable
- * ST Test Diagnostic Cartridge (Revision 3.6 or later)
- * Blank 3.5" Diskettes (2)
- * RS232 terminal (or ST with VT52 emulator)

In addition, the following items may be needed to troubleshoot and repair failed computers:

- * 100MHz Oscilloscope
- * Volt-Ohm Meter
- * Small Hand Tool Kit
- * Spare Parts

TEST CONFIGURATION

With the power switch off, install the Diagnostic Cartridge with the label facing UP.

(IMPORTANT--if the cartridge does not have the plastic enclosure;

BE SURE THE CARTRIDGE IS INSTALLED WITH THE CHIPS FACING DOWN).

Connect cables from test fixture into the hard disk port, parallel port, and joystick/mouse ports. The joystick cables should be plugged in so that, if the fixture ports were directly facing the computer ports, the cables would not be crossed. Plug the RS232 and MIDI loopback connectors into their ports. Plug the color monitor into the monitor output (a monochrome can be used instead).

Power on the unit. Some tests will be run automatically, in a few seconds the menu screen should appear. If the screen appears, skip down to "ST Diagnostic Cartridge", below. If not, read next section "Troubleshooting a Dead Unit".

TROUBLESHOOTING A DEAD UNIT

In the event that the system is correctly configured and powered and no display appears, this is the procedure to use for determining the problem. This assumes elementary steps have been taken, such as checking the LED in the forward left corner of the computer to verify the unit is powered and making sure the monitor is working.

1. Connect a dumb terminal) to the RS232 port of the unit under test (U.U.T.). You can use an ST running the VT52 terminal emulator program--see the owner's manual for setting up VT52. The cable should connect pin 2 (serial out) of the U.U.T to pin 3 (serial in) of the terminal, and vice versa. Connect pin 7 (ground) to pin 7. The terminal should be set up for 9600 bps, 8 bits of data, 1 stop bit, no parity (this is the default condition for the VT52 emulator).

Insert the Diagnostic Cartridge into the U.U.T., and power on the unit. If the Diagnostic Cartridge messages appear on the display of the terminal, use the diagnostic to troubleshoot the computer. If not, the computer will have to be disassembled to troubleshoot. Refer to "Diagnostic Cartridge" below for information on using the cartridge.

If no activity is seen on the RS232 port or display, continue with (2) below.

2. Disassemble the computer so that the printed circuit board is exposed (see Section 4, Disassembly). Power up the computer. Using an oscilloscope, verify the 8MHz clock to the 68000 CPU (pin 15). Replace oscillator if necessary. Then check pin 17 (HALT) of the 68000 CPU. It should be a TTL high. If so, go on to 3 below. If not, the CPU is halted. The reasons may be: (1) bad reset circuit, (2) double bus error, 3) bad CPU.

Check (1) by observing signal on input of the two inverters on the HALT line. Check (2) by observing pin 22 of the CPU (BERR) as the unit is powered on. It should be high always. If there are logic low pulses, some component is malfunctioning and Glue is generating the error. Verify the clocks to Glue and Memory Controller and replace these components to verify them (if socketed).

If still failing, the CPU is unable to read ROM or there is a component which is not responding to a read or write by the CPU, probably the MFP 68901 or DMA Controller. The MFP should respond to an MFPCS with DTACK. The DMA chip should respond to FCS by asserting RDY. There is no way to check (3) other than by elimination of the other two possibilities, although a hot CPU (too hot to touch for more than a second) strongly indicates a bad CPU.

3. If the CPU is not halted, it should be reading instructions from ROM (cartridge, if installed) and data and address lines will be toggling. (If not, replace CPU.) At this point, there is the possibility that both the video and RS232 subsystems are failing. Verify the output of the MFP chip (pin 8) while powering on the unit with the cartridge installed. If data is being sent, trace it through the 1488 driver.

Note that + and - 12v. is required for RS232. If all looks good, there may be something wrong with the connection to the terminal.

Verify also the output of the Video Shifter. If using an RGB monitor, check the outputs to the summing resistors for R, G, and B. Note that if BLANK is not going high, no picture will be possible. If using monochrome, check output pin 30. Also check the input to the MFP, pin 29, MONOMON. Note that if the CPU does not read a low on this signal on power-up, it will cause RGB output on the Video Shifter.

If the Video Shifter is outputting a signal, but the picture is unreadable, there is probably a problem with screen RAM. The cartridge should be used to diagnose this problem, with the RS232 terminal as a display device.

ST DIAGNOSTIC CARTRIDGE

The ST Diagnostic Cartridge is used to detect and isolate component failures in ST computers (520 and 1040). There are several revisions; this document refers to revision 3.6. Users of earlier versions should refer to the appropriate Troubleshooting Guide. This section gives a brief guide to use with a description of each test, error codes or pass/fail criteria, and recommendations on repair.

Power-up

The diagnostic program performs several tests on power-up. In particular, the message "Testing MFP, Glue timing, Video will appear, and the screen will appear scrambled for a few seconds before the menu is printed. The screen will turn red (dark background in monochrome) if an error occurs in the initial testing, with a message indicating the failure. The lowest 2 Kbytes of RAM is tested on power-up; if a location fails, the error will be printed to the RS232 device. It is assumed that if RAM is failing, the screen may not be readable and program execution will fail because there is no stack or system variables. The program will continue to test RAM and print errors, but no screen will be displayed (the screen may turn red). Repair RAM.

If the keyboard fails, it will be inactivated. The user must connect a terminal to the RS232 port. The diagnostic program looks for keystrokes from the RS232 device.

If the display is unreadable, the RS232 terminal should be used. All messages are printed to the RS232 port as well as the screen.

Test Menu

The normal screen will be dark blue with white letters. The test title and revision number are displayed at the top, with the amount of RAM and keyboard controller revision below, and a test menu below that. To select tests, the user types the keys corresponding to those tests, and then the return key. Many iterations of the test or tests chosen can be run by typing in the number of cycles just before typing RETURN. Typing a zero will cause the test sequence to run continuously. To stop a cycle before completion, hit the escape key (there may be some delay in some tests before the test stops). As each cycle completes, the total numbers of cycles will be displayed on the screen.

Main Menu:

ST Diagnostic Test Rev. 3.6
c 1986, Atari Corp.

520k RAM [1] Keyboard revision 2 [2] 60 Hz [3]

R	RAM Test	O	O.S. ROMs	C	Color
K	Keyboard	M	MIDI	S	Serial RS232
A	Audio	T	Timing	D	DMA Port
F	Floppy Disk	P	Printer/Joystick ports		
H	High resolution monitor				

Q Run all tests
Z Run internal tests (R,O,C,K,A,T)
E Examine/Modify memory
? Help
B Set RS232 rate
V Toggle video output--50/60 Hz

Enter letter(s) and RETURN:

The 'Q' selection sequences through all the tests except for High resolution monitor. The 'Z' selection sequences through RAM, ROM, Color, Keyboard, and Timing tests. Selection 'E' enables the operator to examine or modify RAM or hardware registers. 'B' enables the operator to change the baud rate on the RS232 port. Pressing the up arrow increases it, pressing the down arrow decreases it.

Pressing '?' or the HELP key brings up a brief synopsis of the cartridge functions.

After a test or series of tests completes, the pass/fail status and error report, if any, will be displayed. Press the space bar to return to the menu.

If multiple tests are selected, the sequence can be halted before completion by pressing the ESC key. At the completion of the current test, the sequence will halt, with the options of either continuing or returning to the menu. In some cases there will be a considerable delay before the current test completes and the keystroke is detected.

[1] Ram size, found during initialization
[2] Revision level of the keyboard controller
[3] Color framing rate in GLUE chip, set by Diagnostic Cartridge

Summary of Tests

RAM TEST

RAM is tested in three stages: low 2 kbytes, middle (up to 64k), and from 64k to top. The test patterns used are: all 1s, all 0s, a counting pattern (data=low word of the address), reverse counting pattern (data=complement of address low word). The counting pattern is copied from the top and bottom of a 32 Kbyte buffer into the current 32 Kbytes of video RAM, then shifts video RAM to a new area, verifies the pattern, and repeats the test, until the top of RAM is reached. Finally, addressing at 64k boundaries is checked by writing unique pattern in last 256 bytes of each 64k block.

If an error occurs, the error code is displayed, followed by the address, data written, data read, and the bits which did not agree. E.g.: " R2 45603E W:603E R:613C bad bits: 1,8".

In units having more than one bank (i.e., 1040ST, 4160ST) the address as well as the bit position must be used to find the correct chip. The following table gives a correspondence between the addresses and banks for various models:

	520	1040	2080	4160
0-7ffff	bank 0	bank 0	bank 0	bank 0
80000-fffff		bank 1	bank 0	bank 0
100000-1fffff			bank 0	bank 0
200000-3fffff				bank 1

(A bank is a 16 bit wide group of RAMs. A bank may consist of 256k bit chips--256k x 16 = 4 Mbit or 512k bytes--or 1Mbit chips--1Mbit x 16 = 16 Mbit or 2 Mbytes.)

RAM ERROR CODES

Except where noted, repair by replacing the RAM chip corresponding to the indicated bit(s).

R0--low memory failed while setting up to run test.

R1--failed walking 1s or 0s.

R2--failed address (counting pattern).

R3--failed 64k boundary test. Probable failure in Memory Controller.

R4--failed while displaying area tested (video RAM).

ROM TEST

This test reads all bytes from operating system ROMs and calculates the checksums. It compares against known values of checksums and determines if good or bad. It checks known values for U.S./Canada, United Kingdom, French, German, and Spanish (PAL and NTSC) ROMs.

For each ROM the checksum and type is displayed. The test fails if any unknown checksums are found or if the ROMs are not all of the same type (e.g. mixed French and German). Incorrect checksums are indicated by an arrow.

If a ROM is found in the wrong position, the test fails. The out-of-place ROM is indicated by an arrow.

New revisions of TOS will cause this test to fail if not incorporated into the current version of the diagnostic. If you receive TOS revisions before receiving the diagnostic revision, it will be necessary to verify the checksums yourself.

COLOR TEST

This test verifies the Video Shifter. Seven color bands are displayed: red, green, blue, cyan, magenta, yellow, and white. Each band consists of 8 levels of intensity. All 16 color palettes are represented, each palette is a vertical strip across the screen (strips should not be discernable, but each color should be a straight line across the screen). Because of the tight timing involved, keystroke interrupts will cause the display to jitter.

The operator should see that there are no gaps or missing scan lines in the display. If lines are missing, check the three outputs on the Video Shifter for that color, and verify the values of the resistors on the output. Too low a brightness setting on the monitor will cause the monitor not to distinguish between fine levels, making it appear there are only four levels being output.

The Video Shifter has three outputs for red (R0,R1,R2), green (G0,G1,G2) and blue (B0,B1,B2). Each of these triples is summed together by a resistor network to give 8 levels of intensity for each color, depending on which of the outputs are on. The values of the resistors give different weight to each output. The value of the resistor at R0 is twice that of R1, which is twice that of R2. This allows us to get 8 equal steps on the summed outputs. For example, R0 on and R1 and R2 off = 1/8, R0 off, R1 and R2 on = 7/8. This signal then passes through a transistor amplifier, and from there to the video monitor connector.

Symptoms and Fixes:

1. Missing primary color. Check the output of the transistor amplifier. Q3 is blue, Q4 is green, Q5 is red. Look for a staircase pattern (eight levels of intensity). If the signal is there, trace forward to the video connector, if not, trace backward to the Video Shifter, until the faulty component is found.
2. Primary colors present, secondaries missing or incorrect. Replace the Video Shifter.
3. Coarse change in intensity (not a smooth dark to light transition). Replace Video Shifter or look for a short on the output of one of the three color outputs for the appropriate color.
4. Specks or lines on the screen. This can be caused by bad RAM; if RAM has been tested and is good, replace the Video Shifter.
5. Wavering display, horizontal lines not occurring in the same place every time. The processor may be getting extra interrupts (if the processor is required to handle additional interrupts, it will not have time to change all 16 color registers during a horizontal scan time). Examine the MFP interrupt request (pin 32). There should be an interrupt every 126 microseconds (2 display lines) from Display Enable (pin 20). If additional interrupts occur, locate the source: the inputs at pins 22-29 should all be high. If no external (to the MFP) source for the interrupts is found, replace the MFP.

NOTE: If the keyboard is not connected, the input to the 6850 will be low, causing continual interrupts.

KEYBOARD TEST

Two types of test are run. The keyboard self-test is done first, and if this passes, a screen is displayed representing the keyboard. The operator presses keys and observes that the corresponding character on the screen changes (reverses background color). If multiple tests have been selected, only the self-test is run.

The self-test checks communication between the CPU and the keyboard microcomputer, and checks RAM and ROM in the keyboard microcomputer, and scans the keyboard for stuck keys.

KEYBOARD ERROR CODES

K0--Stuck key. A key closure was detected while the keyboard self test was executing.

K1--Keyboard not responding. A command was sent to the keyboard processor and no status was returned within the allowed time. The keyboard needs to be replaced or the communication channel through the 6850 is not functional.

K2--Keyboard status error. The self test command was sent to the keyboard, on completion of the test, the keyboard sent an error status. Replace the keyboard.

MIDI TESTS

This test sends data out the MIDI port, (data loops back through the cable) and reads from the input and verifies the data is correct. This also tests the interrupt from the 6850 through the MFP chip. The LED in the loopback cable will blink as data is sent (not all cables have the LED).

MIDI ERROR CODES

M0--Data not received. Trace the signal from the output of the 6850, through the drivers, loopback cable, and receivers to the input of the 6850. Replace the defective component.

M1--Write/Read data mismatch. The data written was not the same as the data read. Replace 6850.

M2--Input frame error. Bad 6850 or bad driver or receiver causing noisy signal.

M3--Input parity error. Bad 6850 or bad driver or receiver causing noisy signal.

M4--Input data overrun. The 6850 received a byte before the previous byte was read. Probable bad 6850, also can be caused by the MFP not responding to the interrupt request.

RS232 TESTS

First the RS232 control lines are tested (which are tied together by the loopback connector), then the data loopback is tested. Data is checked transmitting/receiving using a polling method first, then using interrupts.

Data is transmitted at 300, 600, 1200...19200 bps. Data transmission is performed by the MFP and the 1488 and 1489 driver and receiver chips. Interrupts are a function of the MFP. Control lines are output by the PSG chip and input on the MFP. Note that this test does not thoroughly test the drive capability of the port. If the test passes, but the unit fails in use, it is likely that the 1488 or 1489 chips are bad.

RS232 ERROR CODES

Data transmission error:

S0--Data not received. Check signal path: MFP pin 8 to J6 pin 2 via 1488 to J6 pin 3 to MFP pin 9 via 1489.

S1--Data mismatch. Data read was not what was sent. Check integrity of the signal. May be bad driver, receiver, or MFP.

S2--Input frame error. Incorrect time between start and stop bits. Probable MFP failure.

S3--Input parity error. Input data had incorrect parity. Probable MFP failure.

S4--Input data overrun. A byte was received before the CPU read the previous byte. MFP failure or, less likely, Glue failure.

S5--No IRQ. CPU did not detect an interrupt by the MFP. MFP or Glue failure.

S6--Transmit error. MFP transmitter failed.

S7--Transmit error interrupt. An error condition was created intentionally to cause an interrupt, and the MFP did not respond.

S8--Receive error interrupt. An error condition was created intentionally to cause an interrupt, and the MFP did not respond.

S9--RI/DTR connection. Signal sent at DTR is not detected at RI.

SA--DCD/DTR connection. Signal sent at DTR is not detected at DCD.

SB--RTS/CTS connection. Signal sent at RTS is not detected at CTS.

AUDIO TEST

Outputs a low to high sweep on each of the three sound channels. One cycle of each channel is performed. If a channel is missing, replace the PSG chip. If no sound is heard, verify the output of the chip with an oscilloscope, and trace the signal to the monitor output connector. If no output from the PSG, verify the PSG is being selected by running the printer port or RS232 test (these tests both select the PSG).

TIMING TESTS

These tests are run at power-up as well as being selectable from the menu. The MFP timers, the Glue timing for VSYNC and HSYNC, and the Memory Controller video display counters are tested. The video display test redirects display memory throughout RAM and verifies that the correct addresses are generated. Odd patterns may flash on screen as this test is run. There are two tests which check the bus timing for the 1772 and PSG chips. An error message is printed to the screen, then the test is run. If the test passes, the message is erased. If not, a Bus Error will occur and the message will remain. If a terminal is connected to the RS232 port, the message will not be erased, but "Pass" will be printed.

TIMING TEST ERROR CODES

- T0--MFP timer error. One or more of the four timers in the MFP did not generate an interrupt on counting down .
- T1--Vertical Sync. Glue is not generating vertical sync in the required time period.
- T2--Horizontal Sync. Glue is not generating horizontal sync in the required time period.
- T3--Display Enable. Glue is not generating DE output or the MFP is not generating an interrupt.
- T4--Video Counter Error. The memory controller is not generating the correct addresses for the display. This will result in a broken-up display in some or all display modes.
- T5--PSG Bus Error. The PSG chip is defective.
- T6--1772 Bus Error. The 1772 chip is defective.

DMA TESTS

Four sectors (2048 bytes) of data are written to the RAM on the port test fixture via high speed DMA, then read back and verified. This test is repeated many times for RAM addresses throughout the range of RAM.

DMA TEST ERROR CODES

D0--DMA timed out. No DMA occurred due to faulty DMA Controller, Glue, or Memory Controller, or the HDINT interrupt was not processed by the MFP. The failure can be isolated by seeing if the DMA Controller responds to HDRQ from the test fixture with ACK. Verify the MFP by seeing that the HDINT input causes an INTR output from the MFP.

D1--DMA counter error. the number of bytes transferred was incorrect. The Memory Controller or DMA Controller is bad.

D2--Data mismatch error. The data received from the DMA port was not the same as the data sent. Replace the DMA Controller. If the problem persists, check the data lines to the port for opens and shorts. A third possibility is that a defective 1772 is loading the bus.

FLOPPY DISK TESTS

In single test mode, a menu is displayed showing six options:

1. Quick test. For each disk installed, formats, writes, and reads tracks 0, 1, and 79 of side 0. If double sided, formats and writes track 79 of side 1 and verifies that side 0 was not overwritten. If no disks are installed, checks to see what drives are online and if they are double or single sided. To assure that the drive are correctly tested, the operator should install (menu option 6) before calling the test. Once the test is run, the drives become installed, and will be displayed on the menu screen (below the RAM size).
2. Read Alignment Disk: Continuously reads a user selected track (default = track 40), for checking alignment with an analog alignment diskette.
3. Disk Interchangability Test: Checks to see if diskettes from two disk drives each can be read by the other disk drive.

4. Disk Exerciser: A more thorough disk test; formats, writes, and reads all tracks and sectors on the disk using a sequential writing and a random reading for an indefinite period of time.
5. Check copy protect tracks (80-82): Tests tracks 80-82, which are used by some software companies for copy protection. For information ONLY, this test exceeds product specifications).
6. Install disk drives: Specify how many and what type of disks to test.

If more than one test is selected from the main menu, the floppy menu will not appear, but the Quick Test will be selected automatically.

FLOPPY TEST ERROR CODES

- No floppies connected--the controller cannot read index pulses. The cable may be improperly connected, or the drive has no power, or the drive is faulty.
- F0--Drive not selected. Drive was installed, but failed attempting restore (seek to track 0). Check connection of cables, power to drive. Verify the light on the front of the drive goes on. Listen for the sound of the head seeking (the slide on the diskette should open). If all this occurs, TR0 (pin 23 on the 1772) should go low. If so, check for an interrupt on pin 28 of the 1772. If none, replace the 1772. Else trace the interrupt to the MFP, verify that the MFP responds by asserting INTR. If the drive is not being selected (no light), check the PSG chip. Pin 20 should go low when drive A is selected, and pin 19 should go low when drive B is selected. If not, replace the PSG.
- F1,F2,F3 errors have been deleted. Error message now says "Error Writing" (or reading or formatting), and displays a more specific error message, e.g., "F9 CRC error".
- F4--Seek error. Verify that the STEP, MO, and DIRC outputs from the 1772 are sent to the drive. Probable failure in the 1772, but the drive is also suspect.
- F5--Write protected. Check the write protect tab on the diskette. If OK, verify that the WP input (1772 pin 25) is going low during the test; if it is, then the 1772 is defective; if not, the problem is with the disk drive.
- F6--Read compare error. Data read from the disk was not what was supposed to be written. Check in the following order: diskette, disk drive, 1772, and DMA Controller.

- F7--DMA error. DMA Controller could not respond to a request for DMA. Replace the DMA Controller. If error persists, check FDRQ while running the test. It should normally be low and go high with each data byte transferred. If stuck high, push the reset button and verify that MR (1772 pin 13) goes low. If not, trace RESET to its source. If MR is OK, but FDRQ is still stuck, replace the 1772.
- F8--DMA count error. Replace the Memory Controller, if that does not fix it, replace the DMA Controller.
- F9--CRC error. The diskette or disk drive may be bad, else replace the 1772.
- FA--Record not found. The 1772 could not read a sector header. May be a bad diskette, drive or 1772. If the test fails drive A but not drive B, the 1772 is not at fault (likewise fails B not A):
- FB--Lost data. Data was transferred to the 1772 faster than the 1772 could transfer to the DMA Controller. If DMA Port test passes, the 1772 is probably bad. The DMA Controller could also be at fault.
- FC--Side select error--single sided drive. The test tried to write both sides of the diskette, but writing side 1 caused side 0 to be overwritten.
- FD--Drive not ready. The format/write/read operation timed-out. Probably a bad disk drive. Verify by checking another drive. Could also be a faulty 1772.

PRINTER AND JOYSTICK PORT TESTS

The port test fixture is used to test the parallel printer port and joystick ports. The parallel port test writes to a latch on the test fixture and reads back data. The joystick port test outputs data on the parallel port, which is directed through the test fixture to the joystick ports. The keyboard reads the joystick data in response to commands from the CPU.

PRINTER/JOYSTICK ERROR CODES

- P0--Printer port error. Data read from the printer port was not what was written. Verify that the data lines on the PSG chip (pins 6-13) are toggling when the test is run. If not, run the RS232 test. If the RI-DTR and DCD-DTR errors occur, the chip is probably not being selected. Check if the chip selects are being activated and the 2MHz clock is present. If the PSG is selected and not outputting signals, replace it. If the data lines toggle, verify continuity. Also verify that J11 (Joystick 0) pin 3 is pulled up. Verify the test fixture is good by testing another computer. If it is OK, replace the PSG.
- P1--Busy input error. The input to the MFP is not being read, or the STROBE output from the PSG is not functioning, or Joystick 0 pin 3 is not connected. If the P0 error also occurs, see handling for that. Otherwise, look for a signal arriving at MFP pin 22 from J5 pin 11. If no signal at J5, the test fixture may be bad. Verify with another computer.
- J0--Joystick Port 0. The keyboard input is not functioning. If the Busy input error occurs, fix that first. Otherwise, replace the keyboard. If error persists, check continuity from J11 pins 1,2,3,4 to J12 pins 12,10,9,8 respectively.
- J1--Joystick Port 1. The keyboard input is not functioning. If the Busy input error occurs, fix that first. Otherwise, replace the keyboard. If error persists, check continuity from J11 pins 1,2,3,4 to J12 pins 7,5,4,3 respectively.
- J2--Joystick time-out. Joystick inputs were simulated by outputting data on the printer port and routing it via the test fixture to the joystick ports. Joystick inputs are detected by the keyboard and sent to the CPU via the 6850. This error can be caused by printer port failure (code P0), keyboard failure, keyboard-CPU communication line, or a faulty test fixture. If the power-up keyboard test passes, this eliminates any problem with keyboard-CPU communication.
- J3--Left button input. If P1 error occurs, fix that first. Otherwise replace the keyboard. On the 520ST, also check continuity from J10 pin 6 to J12 pin 11.
- J4--Right button input. If P1 error occurs, fix that first. Otherwise replace the keyboard. On the 520ST, also check continuity from J10 pin 6 to J12 pin 6.

HIGH RESOLUTION MONITOR

If this test is selected while a color monitor is connected, a message is displayed to connect the monochrome monitor. The CPU waits for an interrupt from the MONOMON input to the MFP, and when received (the operator connects the monochrome monitor), changes the display to high resolution. The display screen shows horizontal and vertical lines, each 2 pixels in width. The screen will reverse every two seconds. When the operator sees the display is correct, he unplugs the monochrome monitor and re-connects the RGB monitor and the display should return to normal.

ERROR CODES QUICK REFERENCE

This is a brief summary of all error code which may occur when running the diagnostic.

INITIALIZATION (Errors occurring before the title and menu appear.)

- I1 RAM data line is stuck.
- I2 RAM disturbance. Location is altered by write to another location.
- I3 RAM addressing. Wrong location is being addressed.
- I4 MMU error. No DTACK after RAM access.
- I5 RAM sizing error. Uppermost address fails.

EXCEPTION (may occur at any time)

E1--E5 not used

- E6 Autovector error. IPL0 is grounded or 68000 is bad.
- E7 Spurious interrupt. Bus error during exception processing.
Device interrupted, but did not provide interrupt vector.
- E8 Internal Exception (generated by 68000).
- E9 Bad Instruction Fetch.
- EA Address error. Tried to read an instruction from an odd address or read or write word or long word at an odd address. Usually this error is preceded by a bus error or bad instruction fetch.
- EB Bus error. Generated internally by the 68000 or externally by Glue. Usually caused by device not responding. Displays the address of the device being accessed.

RAM

- R0 Error in low memory, possibly affecting program execution.
- R1 Error in RAM chip.
- R2 Address error. Bad RAM chip or memory controller. Address line not working.
- R3 Address error at 64k boundary.
- R4 Error during video RAM test. Bad RAM chip.

KEYBOARD

- K0 Stuck key
- K1 Keyboard controller is not responding.
- K2 Keyboard controller reports error.

MIDI

- M0 Data not received.
- M1 Data received is not what was sent.
- M2 Data input framing error.
- M3 Parity error.
- M4 Data overrun. Byte was not read from the 6850 before next byte arrived.

PRINTER AND JOYSTICK PORTS

- P0 Printer port error.
- P1 Busy (printer port input) failed.
- J0 Joystick port 0 failed.
- J1 Joystick port 1 failed.
- J2 Joystick (keyboard controller) timed-out.
- J3 Left button line failed.
- J4 Right button line failed.

RS232

- S0 Data not received.
- S1 Data received is not what was sent.
- S2 Data input framing error.
- S3 Parity error.
- S4 Data overrun. Byte was not read from the MFP before the next byte arrived.
- S5 IRQ. The MFP is not generating interrupts for transmit or receive.
- S6 Transmitter error--MFP.
- S7 No interrupt from transmit error (MFP).
- S8 No interrupt from receive error (MFP).
- S9 DTR--RI. These signals are connected by the loopback connector. Changing DTR does not cause change in RI.
- SA DTR--DCD. Same as S9 for these signals.
- SB RTS--CTS. Same as S9 for these signals.

DMA

- D0 Time-out. DMA did not take place, or interrupt not detected.
- D1 DMA count error. Not all bytes arrived. Possible Memory Controller error.
- D3 DMA Controller not responding.

TIMING

T0 MFP timers failed.

T1 Vertical sync timing failed.

T2 Horizontal sync timing failed.

T3 Display Enable Interrupt failed.

T4 Memory Controller video address counter failed.

T5 PSG Bus test. PSG chip is causing a bus error by staying on the data bus too long.

T6 1772 Bus test. 1772 chip is causing a bus error by staying on the data bus too long.

FLOPPY DISK DRIVE

F0 Drive offline. Not responding to restore (seek track 0).

F1 Format error.

(Note: former F2, F3 write and read errors are deleted. The message now will say "error writing" [or reading] and display the specific error found).

F4 Seek error.

F5 Write protected.

F6 Data compare. (Data read not equal to data written).

F7 DMA error.

F8 DMA count error (Memory Controller counter).

F9 CRC error.

FA Record not found.

FB Lost data.

FC Side select error.

FD Drive not ready. Timed-out performing the command.

SECTION FOUR
DISASSEMBLY/ASSEMBLY

1040ST DISASSEMBLY

Use the following procedure to disassemble the 1040ST. Refer to Assembly Drawing, Section 6.

Top Cover/Keyboard Removal

- 1) Turn unit upside down.
- 2) Remove the 7 screws from the square holes. These fasten the top case to the bottom. If the printed circuit board is to be exposed, or the disk drive is to be removed, also remove the three screws from the round holes. These hold the disk drive in place.
- 3) Turn the unit upright and remove the top case.
- 4) Remove the keyboard by unplugging the keyboard harness connector located in the right front corner.

Disk Drive Removal: lift the disk drive slightly and unplug the power harness connector and the ribbon cable.

Power Supply Removal (the power supply may be left in place and the upper shield removed in one piece for troubleshooting):

- 1) Remove one screw on the right side of the power supply shield.
- 2) Straighten the two twist tabs.
- 3) Lift off the power supply shield from the rear.
- 4) Unplug the wire harness connector in the right front corner of the power supply.
- 5) Remove two screws at front corners of power supply.
- 6) Lift the power supply up out of the main assembly.

Removal of main assembly from bottom case:

- 1) Remove four screws from the front of the shield/printed circuit board assembly.
- 2) If power supply has not already been removed, remove two screws securing the power supply to the case at the front corners of the power supply. This can be done by inserting a screwdriver through the holes in the power supply shield or

by removing the shield.

- 3) Lift the assembly up from the front and pull forward.

Removal of Shield From Printed Circuit Board:

- 1) Straighten ten twist tabs.
- 2) Remove copper tape (if present).
- 3) Lift upper shield straight up.

Note: now that the major components are exposed, this is a convenient configuration for troubleshooting. The keyboard and disk drive may be re-connected and placed off to the side if those components are needed.

- 4) Lift printed circuit assembly away from bottom shield. It may be necessary to pull the twist tabs away from the board slightly.

1040ST RE-ASSEMBLY

- 1) Place insulation panel on Bottom Shield.
- 2) Place Main Board on top of Bottom Shield over insulator panel.
- 3) Plug in power supply connector and position power supply with tabs in slots.
- 4) Align tabs on bottom shield with slots on top shield and fit top shield over main assembly. Twist the tabs to lock in place.
- 5) Place assembly in lower plastic case.
- 6) Fasten the power supply to the bottom case at both front corners with two screws. This can be done with the power supply shield in place, using a magnetized screwdriver to hold the screw, or by removing the shield.
- 6a) If power supply shield was removed from main shield, position it over the power supply. Front tabs slide under slots. Twist rear tabs and replace the screw.
- 7) Plug disk drive power and ribbon cables into drive (cables go under shield), and position drive over standoffs.
- 8) Replace four screws at the front edge of the main assembly.
- 9) Connect Keyboard Harness to Main Board through the opening in the upper shield, and place keyboard on the supporting ribs of the bottom case.
- 10) Place the top cover over the assembly.
- 11) Turn over the assembly and replace the ten screws. The three longer screws go in the round holes to secure the disk drive.

WORD OF CAUTION

It is strongly recommended that the computer be retested once in plastic to make sure that the re-assembly was done correctly and there are no shorts to the shield.

520ST DISASSEMBLY

- 1) Turn unit upside down.
- 2) Remove the 6 screws from the bottom case.
- 3) Turn unit upright and remove top case.
- 4) Remove keyboard from main assembly by unplugging the connector from the right front of the assembly.
- 5) Remove the 3 screws from the front edge of the printed circuit board, and 3 screws from the rear edge of the printed circuit board (accessed through holes in the metal shield).
- 6) Remove the printed circuit board assembly from the bottom case.
- 7) Straighten the ten twist tabs around the edges of the assembly, and remove the top shield.
- 8) The printed circuit assembly is now exposed. The bottom shield can be removed if needed.

520 ST RE-ASSEMBLY

- 1) Place insulation sheet on bottom shield.
- 2) Align the twist tabs so that they will fit through the slots in the printed circuit assembly, and place printed circuit assembly on the bottom shield.
- 2a) It may be easiest at this point to place the assembly in the bottom case and screw in the 3 screws at the rear before the top shield is put in place. If a magnetized screwdriver or other device can be used to hold the screws in place while inserting them through the holes in the shield, skip this step.
- 3) Place the top shield over the assembly and twist the tabs to secure in place.
- 4) Place the shield/board assembly into the bottom case (if not already done in step 2a) and screw in 3 screws at the rear through the holes in the shield, and 3 screws at the front of the printed circuit board.
- 5) Plug the keyboard connector into the printed circuit board through the hole in the shield in the right front corner and position the keyboard in place on the lower case.
- 6) Place the upper case over the assembly, turn the unit over, and replace the 6 screws in the bottom case (the longer screws go in the rear).

SECTION FIVE
SYMPTOM CHECKLIST

This section gives a brief summary of common problems and their most probable causes. For more detail, refer to the section on troubleshooting in this document, or the Diagnostic Cartridge Troubleshooting Guide.

DISPLAY PROBLEMS

<u>Symptom</u>	<u>Probable cause</u>
Black screen	No power (check LED), bad Glue chip, bad Video Shifter. See TESTING section, "Troubleshooting a Dead Unit".
White screen	Video Shifter, Glue, Memory Controller, DMA Controller, 68000. Use diagnostic cartridge with terminal connected via RS232 port.
Dots/bars on screen	RAM, Memory Controller, Video Shifter. Use diagnostic cartridge.
One color missing	video summer, buffer, Video Shifter. Check signals with oscilloscope.
Scrambled screen	Glue, Memory Controller. Use diagnostic cartridge.
T.V. output bad	Modulator, phase locked loop. Trace signal with oscilloscope.

DISK DRIVE PROBLEMS

Disk won't boot	Power supply, 1772, DMA Controller, PSG chip, disk drive. See if select light goes on, if not, check PSG outputs. Listen for motor spinning. If not, check power supply. Swap disk drive or try external drive (if testing 1040). If not working, check DMA Controller, 1772 with diagnostic cart.
Disk won't format	1772, DMA Controller, disk drive.
System crash after loading files	Diskette, disk drive, 1772, DMA, or Memory Controller. Swap diskette, retry. Use diagnostic cartridge to check 1772, DMA Controller, Memory Controller; replace disk drive.

KEYBOARD PROBLEMS

Bad keyboard, 6850, MFP.

MIDI PROBLEMS

Bad opto-isolator chip, 6850, inverter (74LS04, 74LS05).

RS232 PROBLEMS

Bad 68901 MFP, receiver, driver, or PSG chips, +/- 12v power supply.

PRINTER PORT PROBLEMS

Bad PSG, MFP chips.

HARD DISK PORT PROBLEMS

Bad DMA Controller, Memory Controller, 1772 (loading the bus).

SECTION SIX DIAGNOSTIC FLOWCHARTS

This section summarizes in diagramatic form the steps taken in troubleshooting the ST using the diagnostic cartridge. The details of using the cartridge are not shown; this shows the context in which the cartridge would be used, including some problems for which the cartridge would not be useful. Usage of the cartridge is covered in the troubleshooting guide. In general, the user would run all the tests, look up errors in the troubleshooting guide, and take the action recommended.

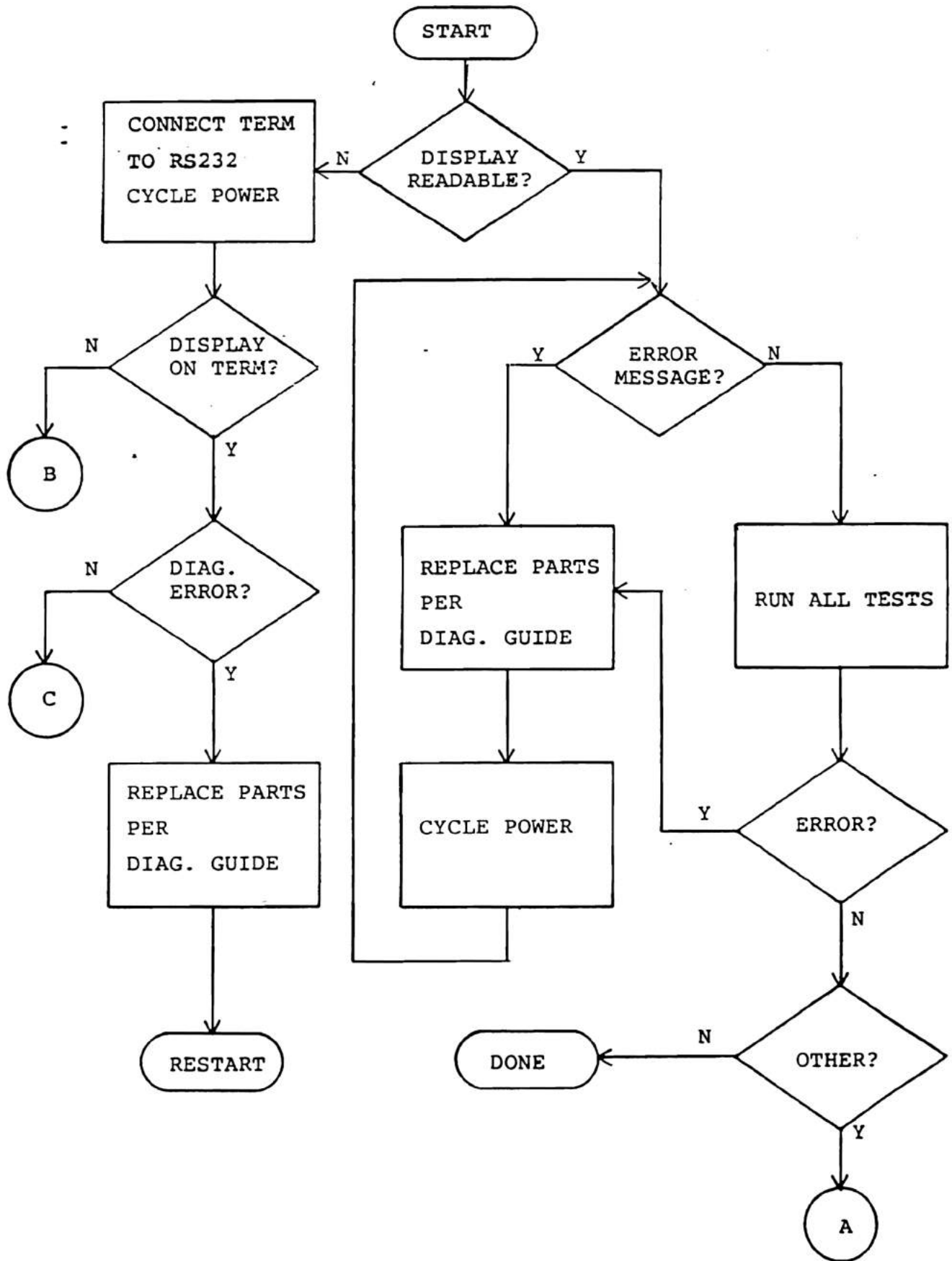
Although a thorough understanding of the system may be necessary in solving some problems, in most cases following the flowchart, reading the documentation on the diagnostic cartridge where necessary, and swapping out the indicated components will result in repair of the problem.

Replacement Procedures

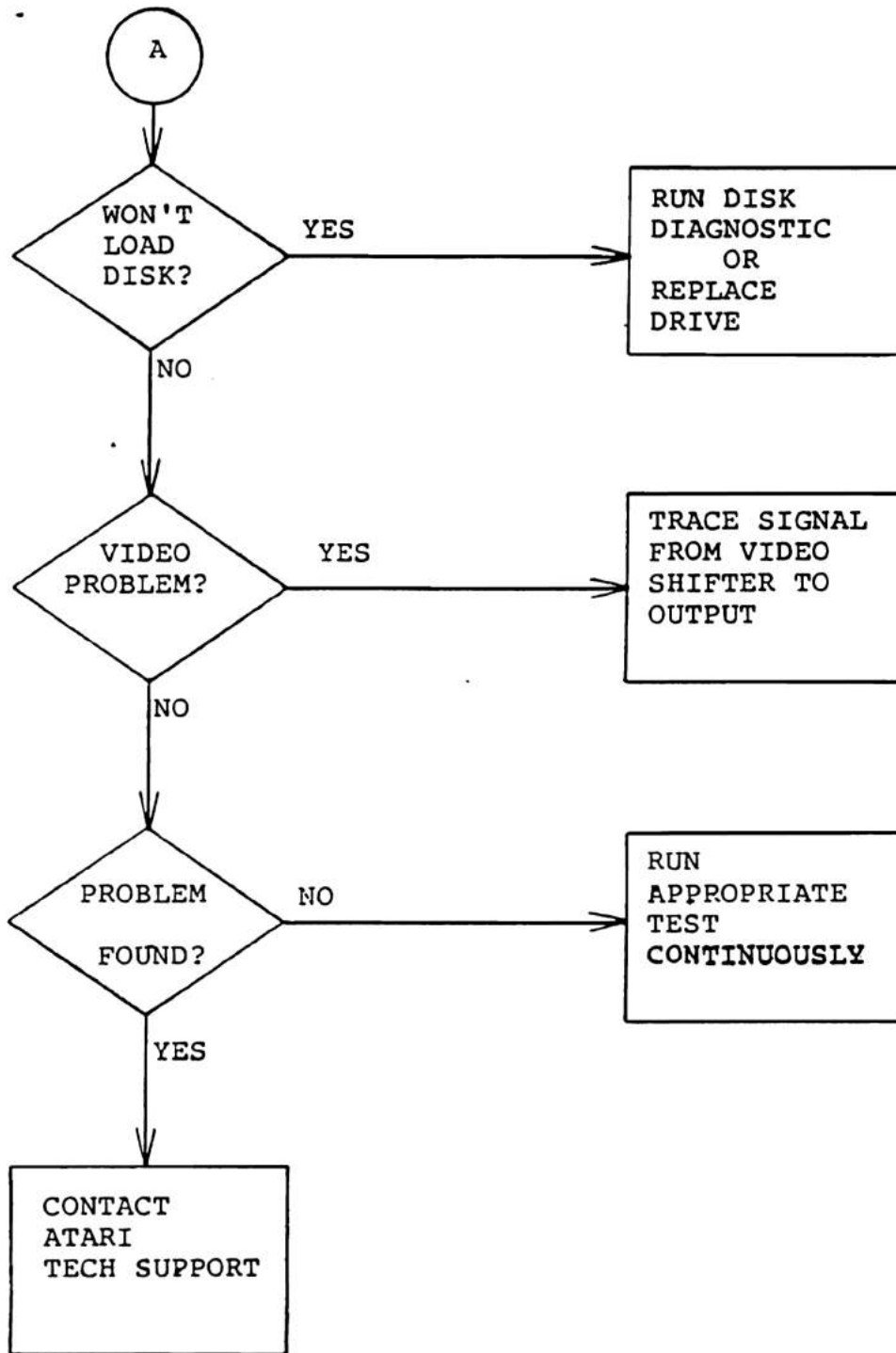
Where replacement is indicated, replace the component (if more than one is indicated, replace one at a time) with a known good part. If other components are later replaced, verify whether the first part is good by replacing in the system once the system has been repaired.

Handling of Integrated Circuits

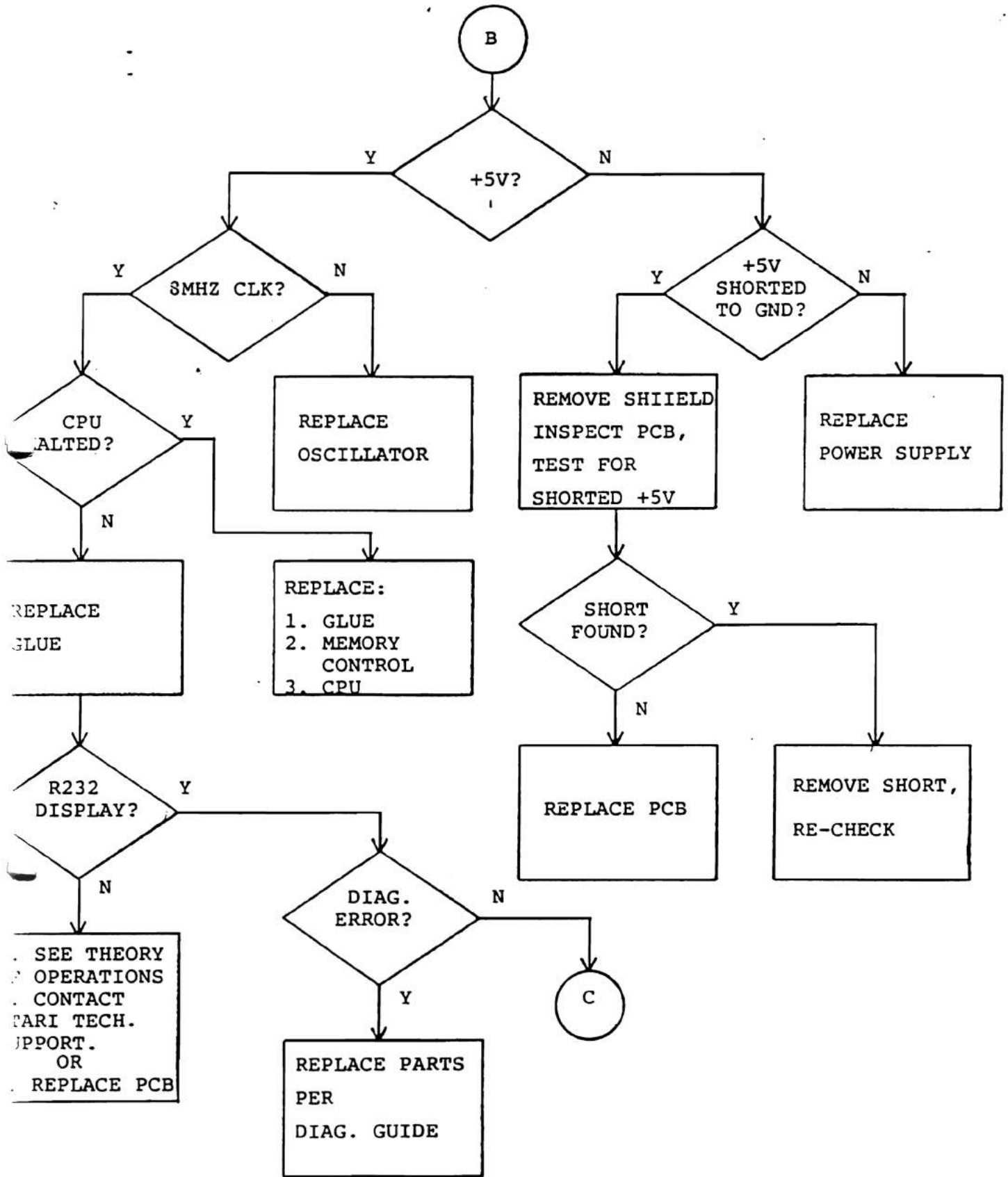
Extreme care should be taken when handling the integrated circuit chips. They are very sensitive to static electricity and can easily be damaged by careless handling. Keep chips in their plastic carriers or on conductive foam when not in use.



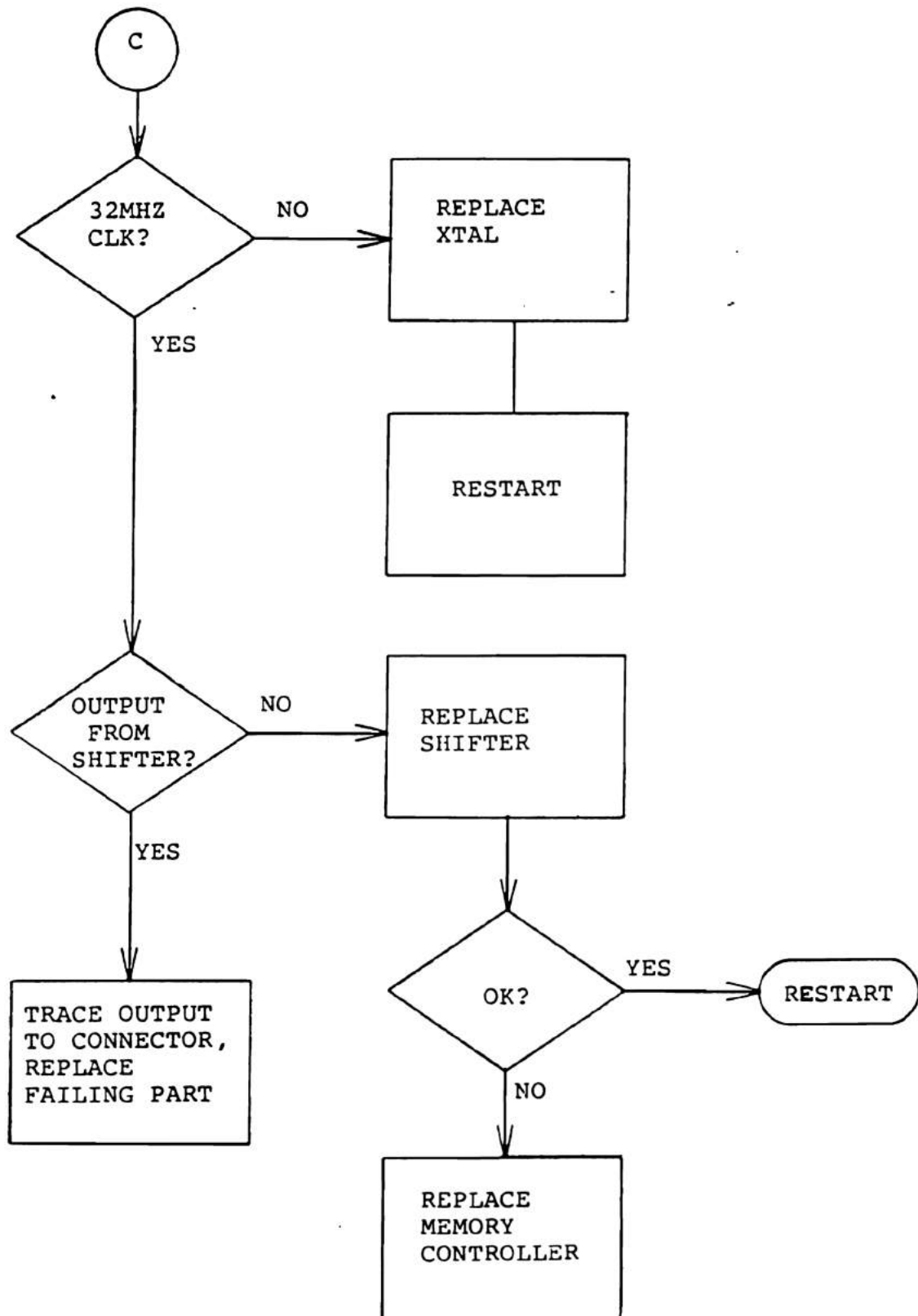
NO ERROR ON
DIAGNOSTIC



NO DISPLAY
ON MONITOR
OR TERMINAL



NO DISPLAY,
NO ERROR



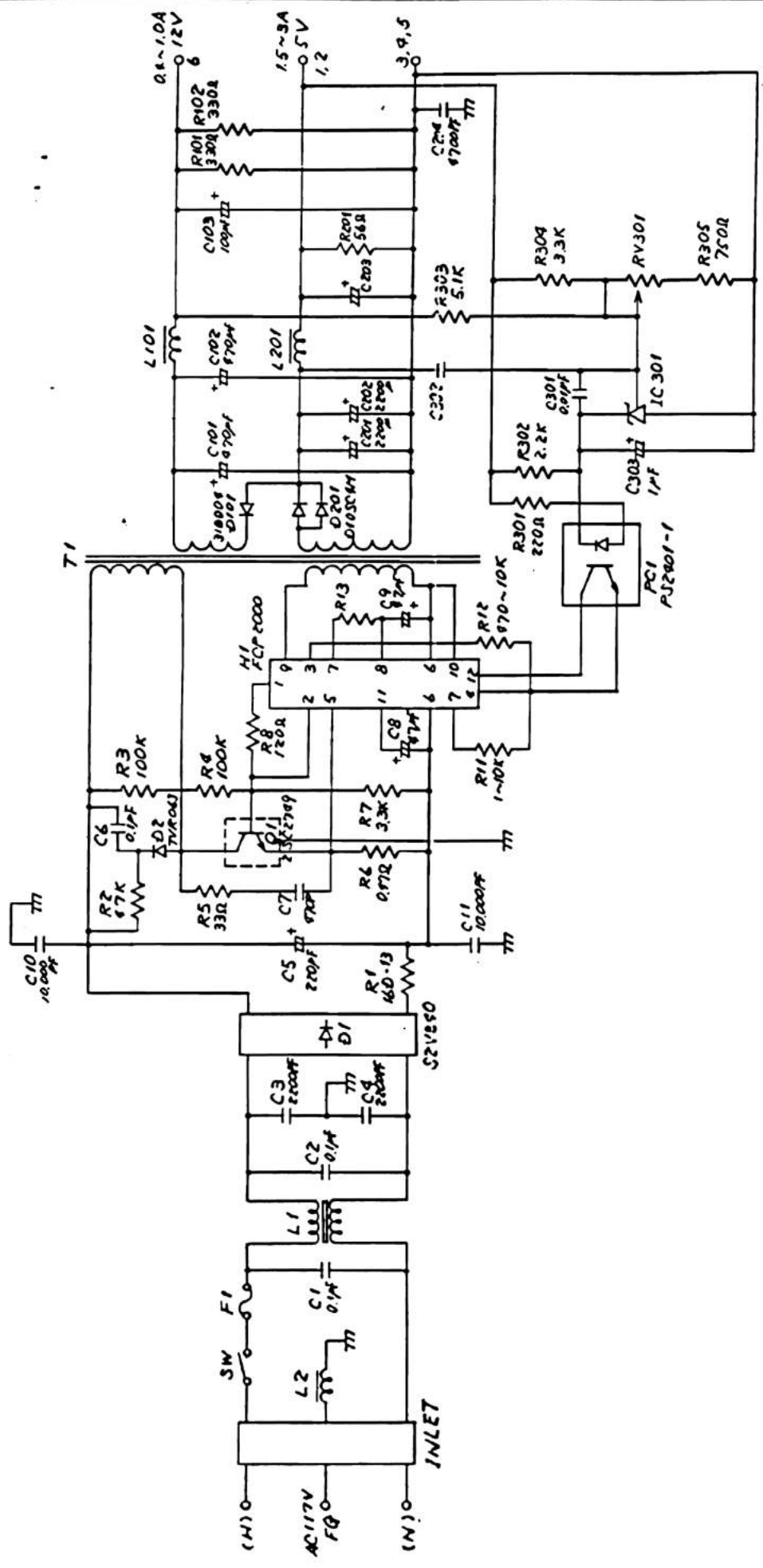
SECTION SEVEN
PARTS LISTS AND ASSEMBLY DRAWINGS

PART NUMBER	DESCRIPTION	LOCATION
CAP 10pF 50V 5% CH. CER AXIAL		C124
CAP 22pF 50V 5% CH. CER AXIAL		C51
CAP 12pF 50V 5% CH. CER AXIAL		C48
CAP 30pF 50V 5% CH. CER AXIAL		C68,69
CAP 33pF 50V 5% CH. CER AXIAL		C106,120
CAP 68pF 50V 5% SL. CER AXIAL		C50
CAP 100pF 50V 5% CH. CER AXIAL		C28,60~63
CAP 150pF 50V 5% CH. CER AXIAL		C26
CAP 680pF 50V 10% CH. CER AXIAL		C32,34
CAP 1000pF 25V 20% X. CER AXIAL		C46,49
CAP 4700pF 50V 20% X. CER AXIAL		C44
CAP 0.01uF 50V 20% X. CER AXIAL		C3,4
CAP 0.022uF 50V 30% X. CER AXIAL		C123
CAP 0.1uF 25V Z. CER AXIAL		C1,2,5,6,10,11,13,15,24 C31,33,36,38,40,42,52,59 C64,67,70,72,119,121,122 C73~C104
CAP 0.22uF 25V Z. CER AXIAL		C39,45
CAP 0.47uF 25V A. CER AXIAL		C109~113,115~118
CAP 470pF 50V 10% B. CER AXIAL		C47,107
CAP 47pF 50V 5% CH. CER AXIAL		C25,27,30
CAP 4.7uF 25V ELEC. AXIAL		C7,8
CAP 22uF 16V ELEC. AXIAL		C9
CAP 47uF 16V ELEC. AXIAL		C105
CAP 22uF 16V ELEC. RADIAL		C71
CAP 100uF 25V ELEC. RADIAL		C43
CAP 470uF 16V ELEC. RADIAL		C35
CAP 1uF 50V ELEC. AXIAL NPO		C12,14
CAP 4.7uF 35V ELEC. AXIAL NPO		C29
RES 1 OHM 1/4W 5% CARBON		R17
RES 27 OHM 1/4W 5% CARBON		R27,28,34,58,101
RES 33 OHM 1/4W 5% CARBON		R68,76
RES 47 OHM 1/4W 5% CARBON		R63,67
RES 68 OHM 1/4W 5% CARBON		R90,91,93,94
RES 100 OHM 1/4W 5% CARBON		R24,31,35,50,59,103,105
RES 150 OHM 1/4W 5% CARBON		R51,52
RES 220 OHM 1/4W 5% CARBON		R1~5,15,62,104
RES 470 OHM 1/4W 5% CARBON		R102
RES 560 OHM 1/4W 5% CARBON		R55
RES 820 OHM 1/4W 5% CARBON		R12
RES 1K OHM 1/4W 5% CARBON		R11,16,21~23,60,61 R64~66,77,82~87
RES 1.2K OHM 1/4W 5% CARBON		R18,20
RES 1.5K OHM 1/4W 5% CARBON		R106
RES 2.4K OHM 1/4W 5% CARBON		R45~47
RES 3K OHM 1/4W 5% CARBON		R14
RES 3.6K OHM 1/4W 5% CARBON		R26,30,32,36,39,42,53
RES 4.7K OHM 1/4W 5% CARBON		R6,54,81

PART NUMBER	DESCRIPTION	LOCATION
	RES 5.1K OHM 1/4W 5% CARBON	R25,29,33
	RES 5.6K OHM 1/4W 5% CARBON	R56
	RES 6.8K OHM 1/4W 5% CARBON	R57
	RES 7.5K OHM 1/4W 5% CARBON	R37,40,43
	RES 8.2K OHM 1/4W 5% CARBON	R13
	RES 10K OHM 1/4W 5% CARBON	R7,48,49,78~80
	RES 12K OHM 1/4W 5% CARBON	R8,9,19
	RES 15K OHM 1/4W 5% CARBON	R38,41,44
	RES 2.7K OHM 1/4W 5% CARBON	R88
	RES 2.2K OHM 1/4W 5% CARBON	R140,141
	RES 100K OHM 1/4W 5% CARBON	R107,108
	RES 430 OHM 1/4W 5% CARBON	R89
C070159-006	RES NETWORK 4.7K OHM X 8	RP1,4~6
C070448	RES NETWORK 10K OHM X 8	RP2,3,7~9
C014384	INDUCTOR FERITE BEAD AXIAL	L2,3,6,7,11~14,47,48
C070205	INDUCTOR 0.27uH 20% AXIAL	L5,8
	INDUCTOR 1uH 10% AXIAL	L9
	INDUCTOR 1.5uH 5% AXIAL	L10
	INDUCTOR 10uH 10% AXIAL	L1
	INDUCTOR 100uH 10% AXIAL	L4
C070241-002	NOISE FILTER ZJS5101-02	L15~46
C070241-001	NOISE FILTER ED-65B102M-S	SUB FOR ABOVE
C070241-003	NOISE FILTER DST306-58B102M50	SUB FOR ABOVE
	TRANSISTOR 2N3904	Q1~8,11
	TRANSISTOR 2N3906	Q9,10
	DIODE 1N914	CR1~11
	DIODE 1N4148	SUB FOR ABOVE
C070177	DIODE 1SV69	CR12,51
C025993	CRYSTAL 2.4576 MHZ	Y1
C070246	CRYSTAL 3.579545 MHZ	Y3
C025944	CRYSTAL 32.0424 MHZ	Y2
C070517	RGB ENCODER/MODULATOR (NTSC)	MOD1
C070129	CONN 40 PIN RIGHT ANGLE	J1
C070130	CONN DB-19S HARD DISK	J6
C070131	CONN 14 PIN DIN FLOPPY DISK	J5
	CONN DB-25P RS232C	J8
	CONN DB-25S PARALELL	J7
C070134	CONN 13 PIN DIN VIDEO	J4
C070033	CONN 5 PIN DIN MIDI	J2,3
C070445	SINGLE INLINE CONNECTOR 6 PIN	J10
C070446	SINGLE INLINE CONNECTOR 8 PIN	J9
	SOCKET 40 PIN	U1,31
	SOCKET 28 PIN	U42~47
C070120	SOCKET 68 PIN LCC	U12,15
C070119	PUSH SWITCH	SW1
CA070072	PUSH SWITCH ASSY	SUB FOR ABOVE
CA070024	FLAT CABLE 34P ASSEMBLED	J11
CA070023-003	CABLE 4P ASSEMBLED	J12
C070510	JUMPER WIRE TWIST PAIR (AWG26)	JP2,3
C070536-001	JUMPER WIRE TWIST PAIR (AWG22)	JP4,5

**SECTION EIGHT
SCHEMATICS AND SILKSCREENS**

REV	REVISIONS DESCRIPTION	DATE	APPROVED



USED ON		DATE
SENT ASSY		
MATERIAL		
FINISH		

TOLERANCES	
UNDER 30	± 0.1
30 THRU 300	± 0.2
OVER 300	± 0.4

DRAWN BY	DATE	DATE	DATE
L. Yamada	9/30/78		
CHECKED			
ENGINEER			
APPROVED			
APPROVED			

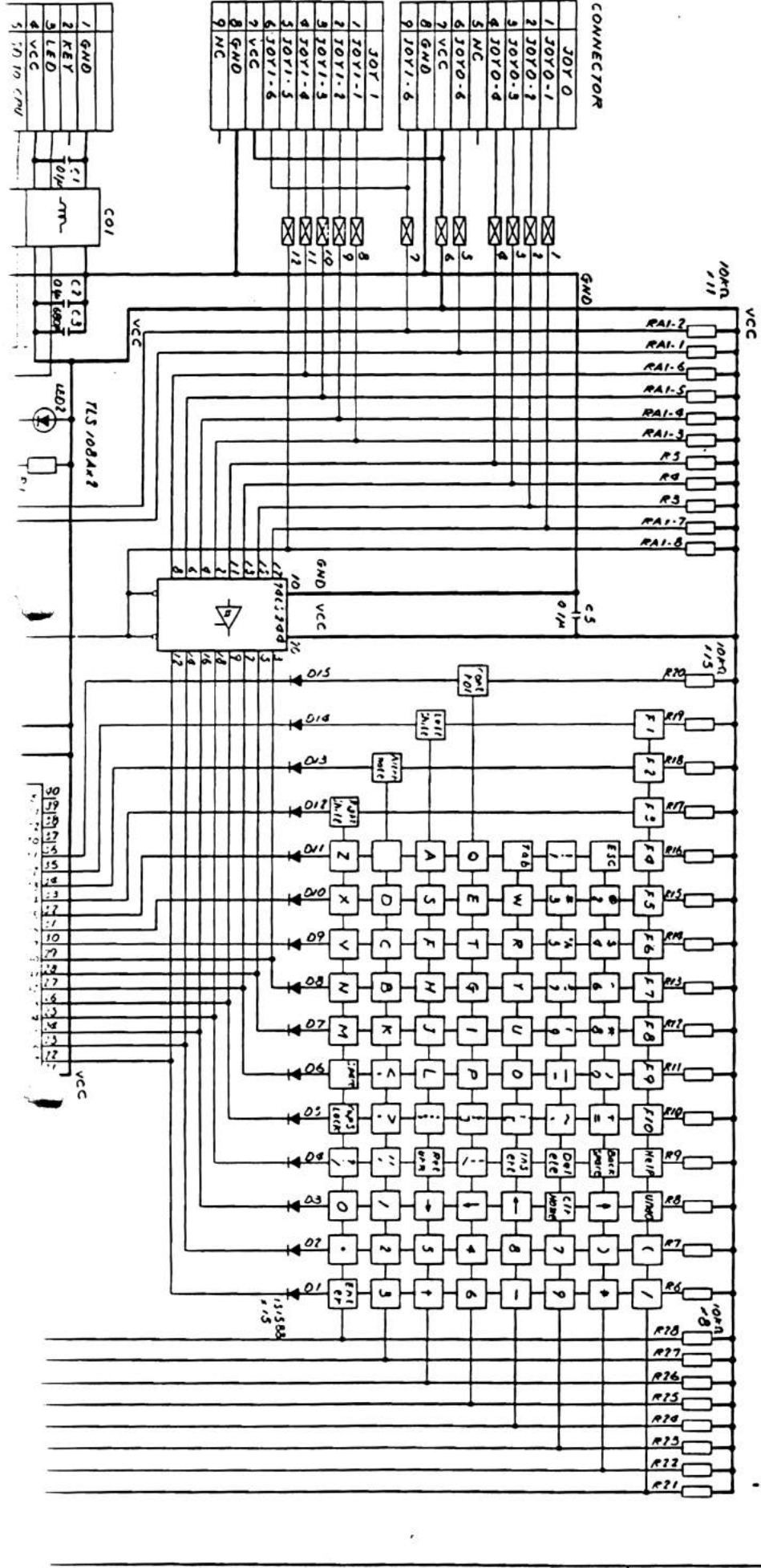
ATARI (JAPAN) CORPORATION
 Toranomon Kyosho Building 3F
 ATARI 4-3-10, Toranomon Minato-ku, Tokyo 105

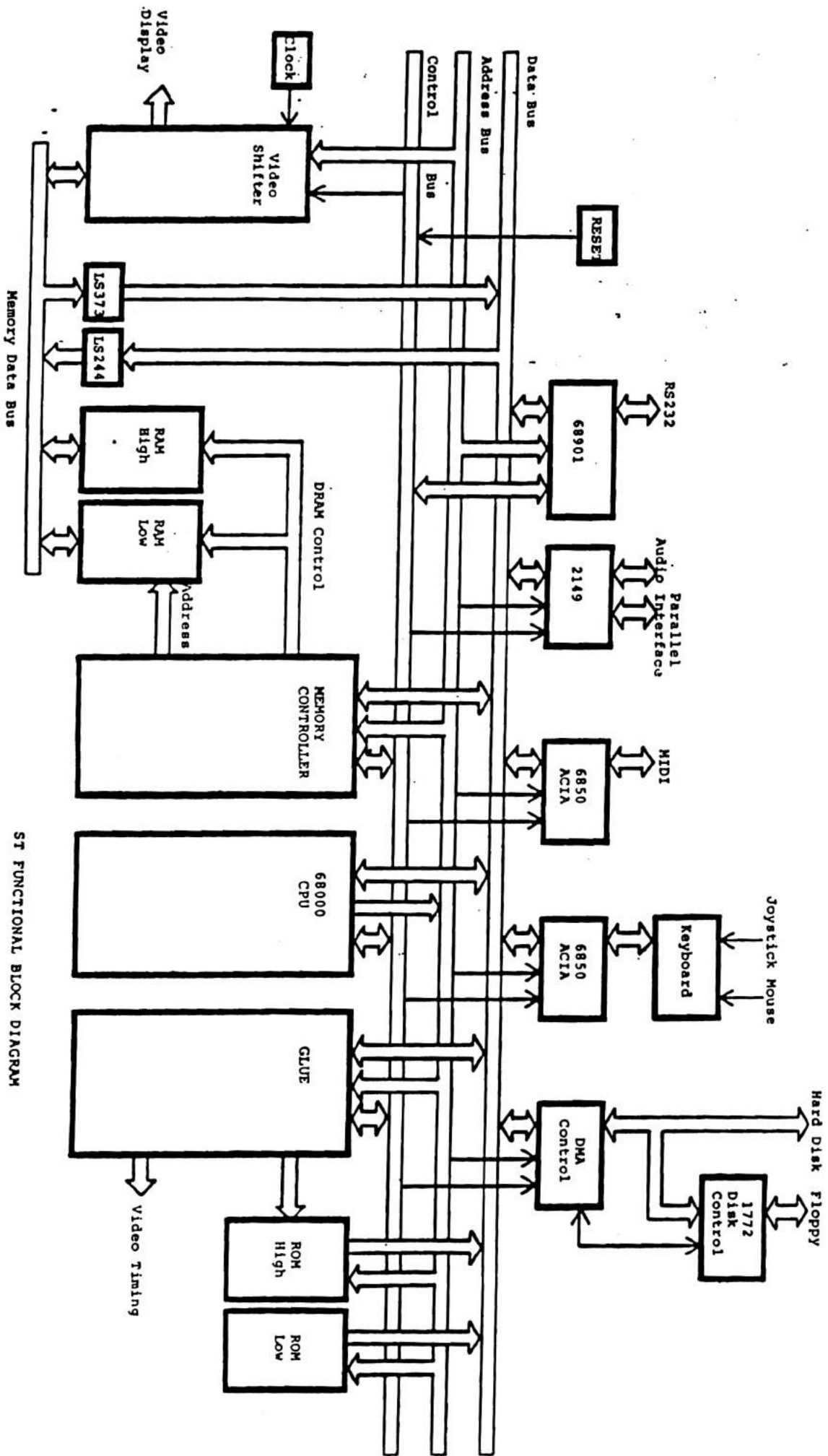
TITLE
 TYPICAL 1040STF(M) POWER SUPPLY
 SIZE DRAWING NO. B
 REVISIONS
 REVISIONS / 10 / 1
 SCALE NONE

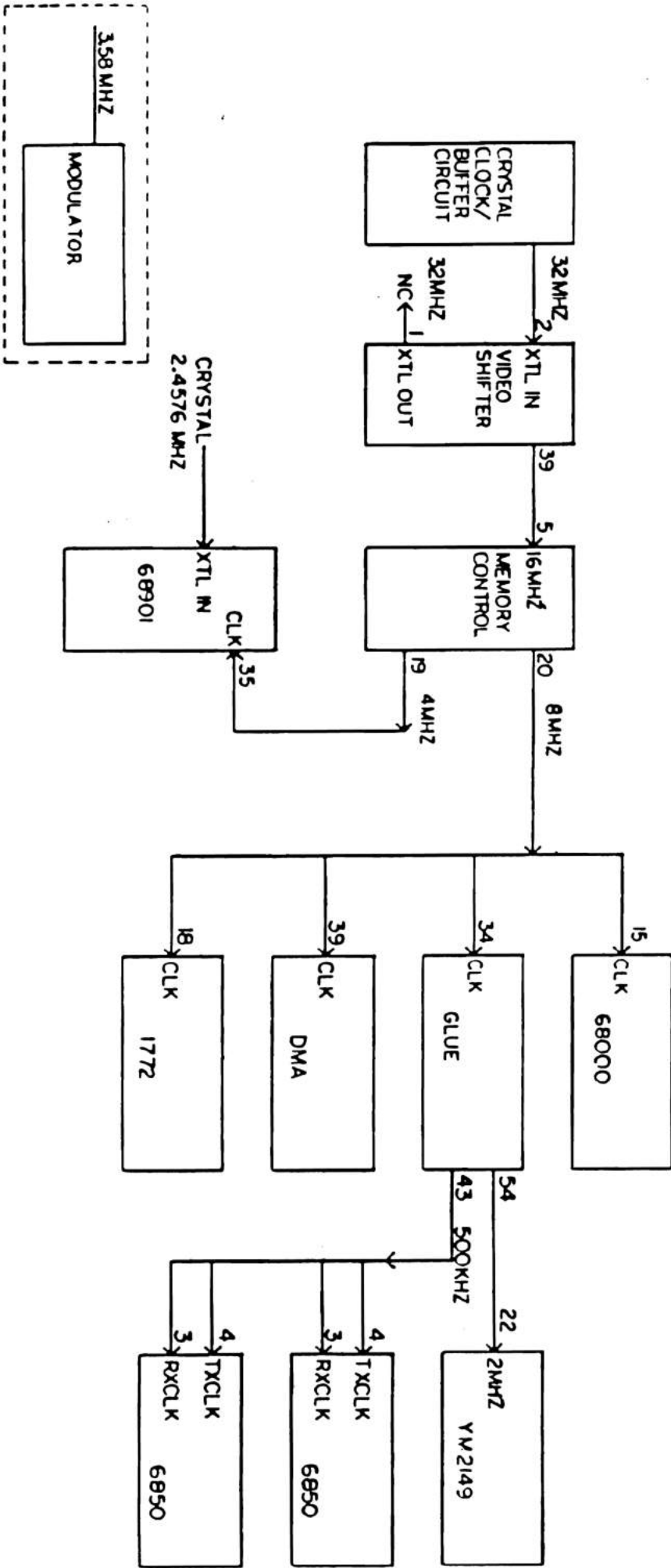
24, 25, 28-30, 32-34
11

ABOVE

REV. 1
REVISIONS IN BOLD
SEE SHEET 1.
DATE: 11/10/80
OPERATOR: []







ST SYSTEM CLOCKS

SECTION NINE
GLOSSARY OF PART NAMES AND TERMS

BUS ERROR—Glue has asserted BERR to inform the processor that there is a problem with the current cycle. This could be due to a device not responding (for example, CPU tries to read memory but the Memory Controller fails to assert DTACK), or an illegal access (attempting to write to ROM). A bus error causes exception processing.

CPU—the 68000 microprocessor.

DMA—direct memory access. Process in which data is transferred from external storage device to RAM, or from RAM to external storage. Transfer is very fast, takes place independent of the CPU, so the CPU can be processing while DMA is taking place. Glue arbitrates the bus between the CPU and DMA.

DMA CONTROLLER—Atari proprietary chip which controls the DMA process. All disk I/O goes through this device.

EXCEPTION—a state in which the processor stops the current activity, saves what it will need to resume the activity later in RAM, fetches a vector (address) from RAM, and starts executing at the address vector. When the exception processing is done, the processor will continue what it was doing before the exception occurred. Exceptions can be caused by interrupts, instructions, or error conditions. See also Section Two, System Errors, or a 68000 reference for more detail.

GLUE—Atari proprietary chip which ties together all system timing and control signals.

HALT—state in which the CPU is idle, all bus lines are in the high-impedance state, and can only be ended with a RESET input. This is a bi-directional pin on the CPU. It is driven externally by the RESET circuit on power-up or a reset button closure, and internally when a double bus fault occurs. A double bus fault is an error during a sequence which is run to handle a previous error. For example, if a bus error occurs, and during the exception processing for the bus error, another bus error occurs, then the CPU will assert HALT.

HSYNC—timing signal for the video display. Determines when the

horizontal scan is on the screen, and when it is blank (retracing). The synchronization (approx. every 63 microseconds) also is encoded onto IPL1,2 as an interrupt to the CPU.

INTERRUPT—a request by a device for the processor to stop what it is doing and perform processing for the device. It is a type of exception. Interrupts are maskable in software, meaning they will be ignored if they do not meet the current priority level of the CPU. There are three priorities: the highest are MFP interrupts, then VSYNC interrupts, and lowest are HSYNC interrupts. Interrupts are signaled to the CPU on the Interrupt Priority Level inputs (IPL0-2). See Theory of Operation, Main System, MFP, and Glue.

MEMORY CONTROLLER—Atari proprietary chip which handles all RAM accesses. See Theory of Operation, Main System and Video Subsystem for details.

MIDI—Musical Instrument Digital Interface. An electrical standard by which electronic instruments communicate. Also, the logical system for such communication. In the 1040ST, consists of a 6850 communications chip, driver and receiver chips (74LS04, 74LS05, and PC-900 photocoupler), and an MFP interrupt channel.

MFP—Multi-function Peripheral, also 68901. Interrupt control, timers, and USART for RS232 communication. See Theory of Operation, Main System.

MODULATOR—device which combines video signals R,G,B, VSYNC, and HSYNC into a composite signal for monitors requiring this type input, and also modulates this signal, combined with audio, onto an RF carrier for output to a television.

PHASE LOCKED LOOP—circuit which locks the horizontal sync signal onto the color burst reference frequency for accurate color on the T.V. Without this circuit, colors on the T.V. become unstable, flickering or shifting about on the screen. The PPL may be on a daughter board located in front of the video shield or hand wired onto the main board within the video shield, or (possibly) in later versions, integrated into the printed circuit board.

PSG—Programmable Sound Generator, also YM2149. Yamaha version of General Instruments AY-3-8910. Has two 8 bit I/O ports and three sound channels. Used in parallel port and audio.

RS232C—Electrical standard for serial digital communication. Also the physical and logical device which performs communication using this standard. In the ST computers, consists of the MFP, PSG, 1488, and 1489 chips.

1772—Western Digital Floppy Disk Controller.

6850—also ACIA (Asynchronous Communication Interface Adapter). Interfaces between 8 bit parallel bus and serial communication bus. In the ST, there are two 6850s, one for keyboard communication, and one for MIDI communication.

68901—see MFP.

SUPERVISOR MODE—state of the CPU in which it is allowed to access all hardware and RAM locations, and perform some privileged instructions. Determined by the state of a bit in the Status Register. The operating system operates in supervisor mode, and switches to user mode before passing control to an application (although the application can enter supervisor mode if it wishes).

USER MODE—state of the CPU in which certain instructions and areas in the memory map are disallowed (resulting in a privilege violation exception if attempted). See also SUPERVISOR MODE.

VSYNC—signal used for vertical synchronization of CRT display device. Occurs at 70 Hz (monochrome), or 50 or 60 Hz color.

YM2149—see PSG.